

**IBM** data processing division

PARTS  
(CATALOG

83

INTERNATIONAL BUSINESS MACHINES CORP.  
590 MADISON AVENUE, NEW YORK 22, NEW YORK

PRINTED IN U.S.A.

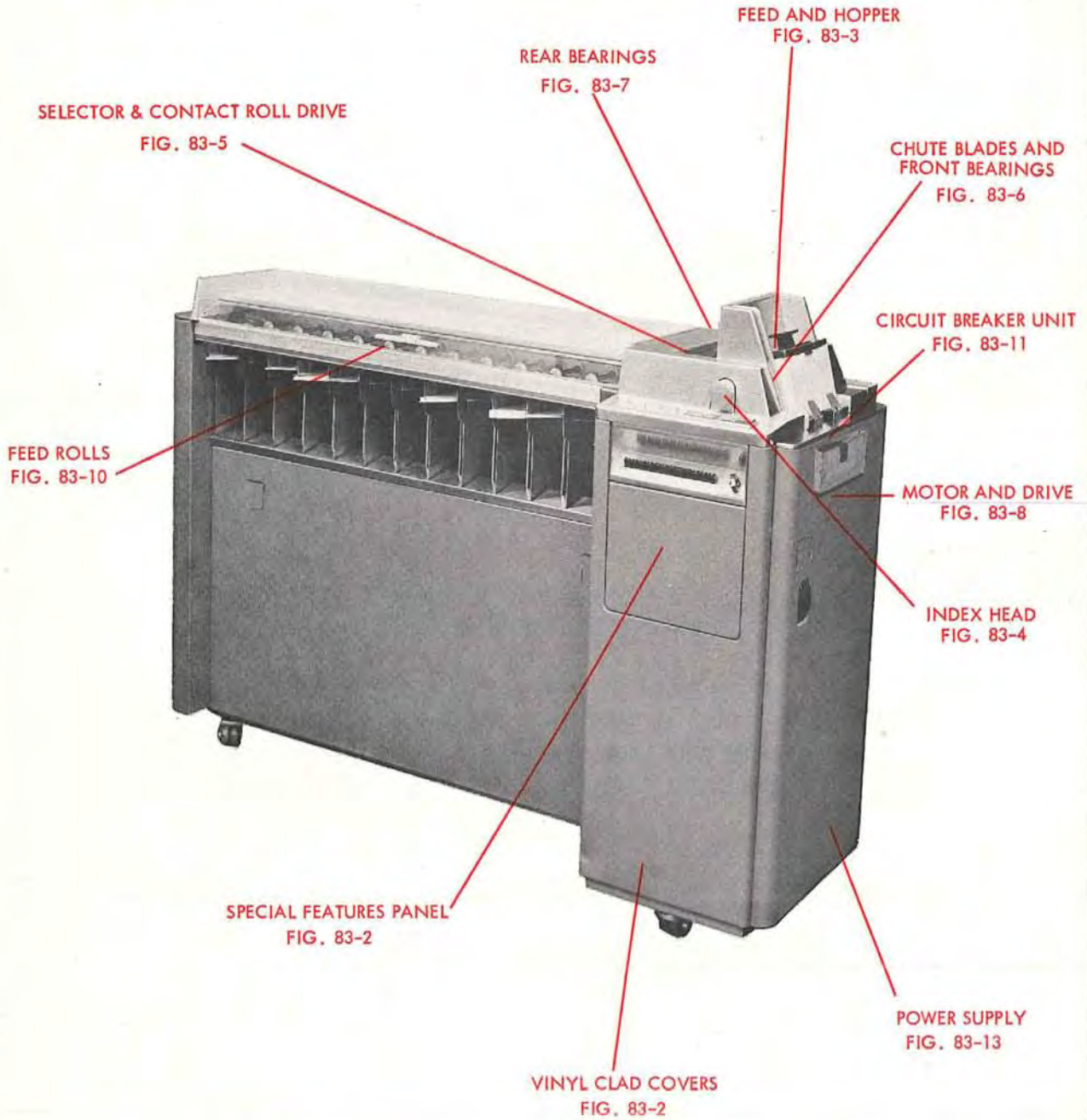
MAY 15, 1958

FORM 12-7102-1

SORTER

# 83 SORTER

NOTE: HIGH SPEED COUNTER - P/N 265000  
(PART OF AUX. CARD COUNTER UNIT)



WHEN ORDERING INTERNAL CABLE ASSEMBLIES AND WIRING DIAGRAMS SPECIFY THE MACHINE SERIAL NO.

# 83 SORTER WITH FILE FEED

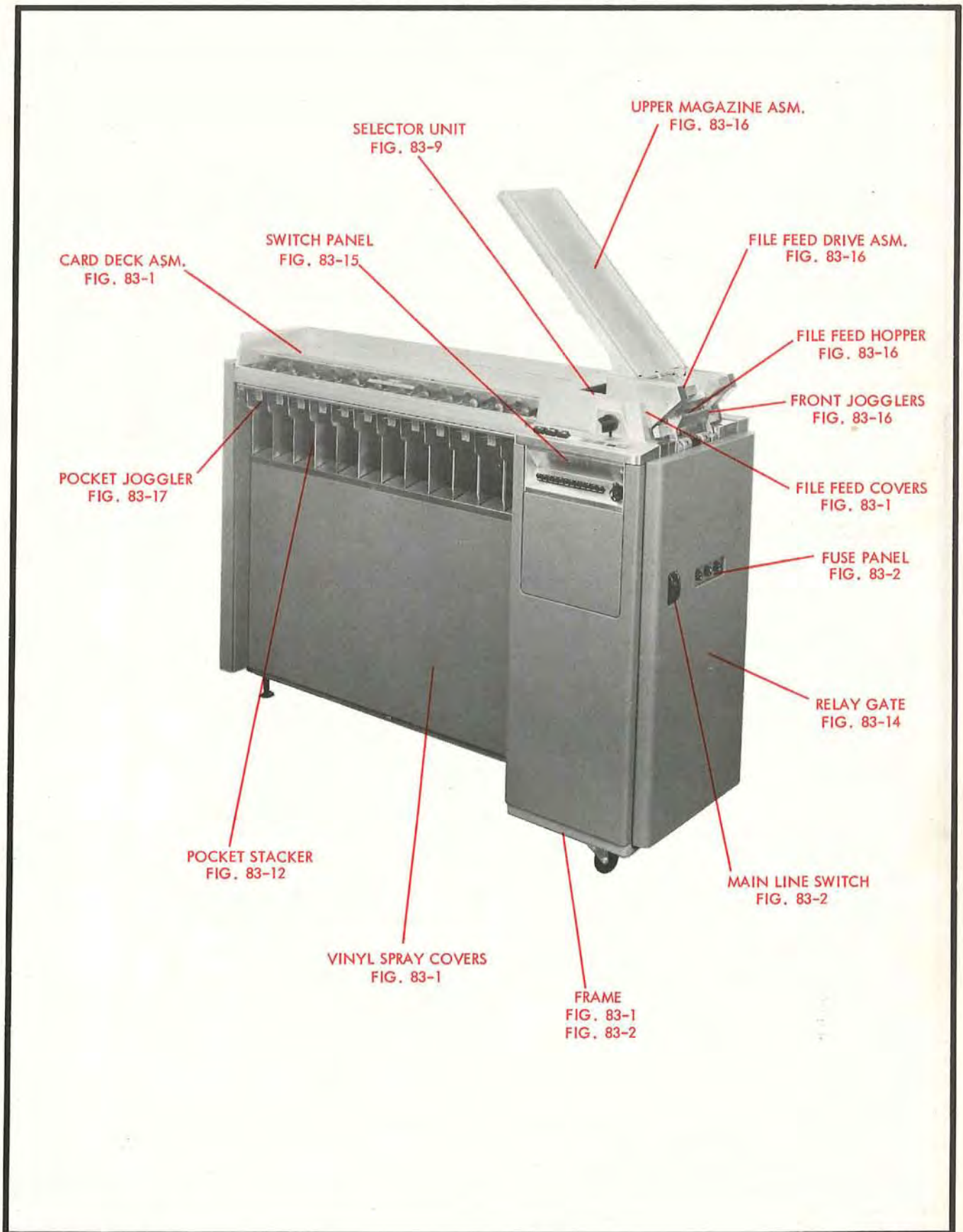
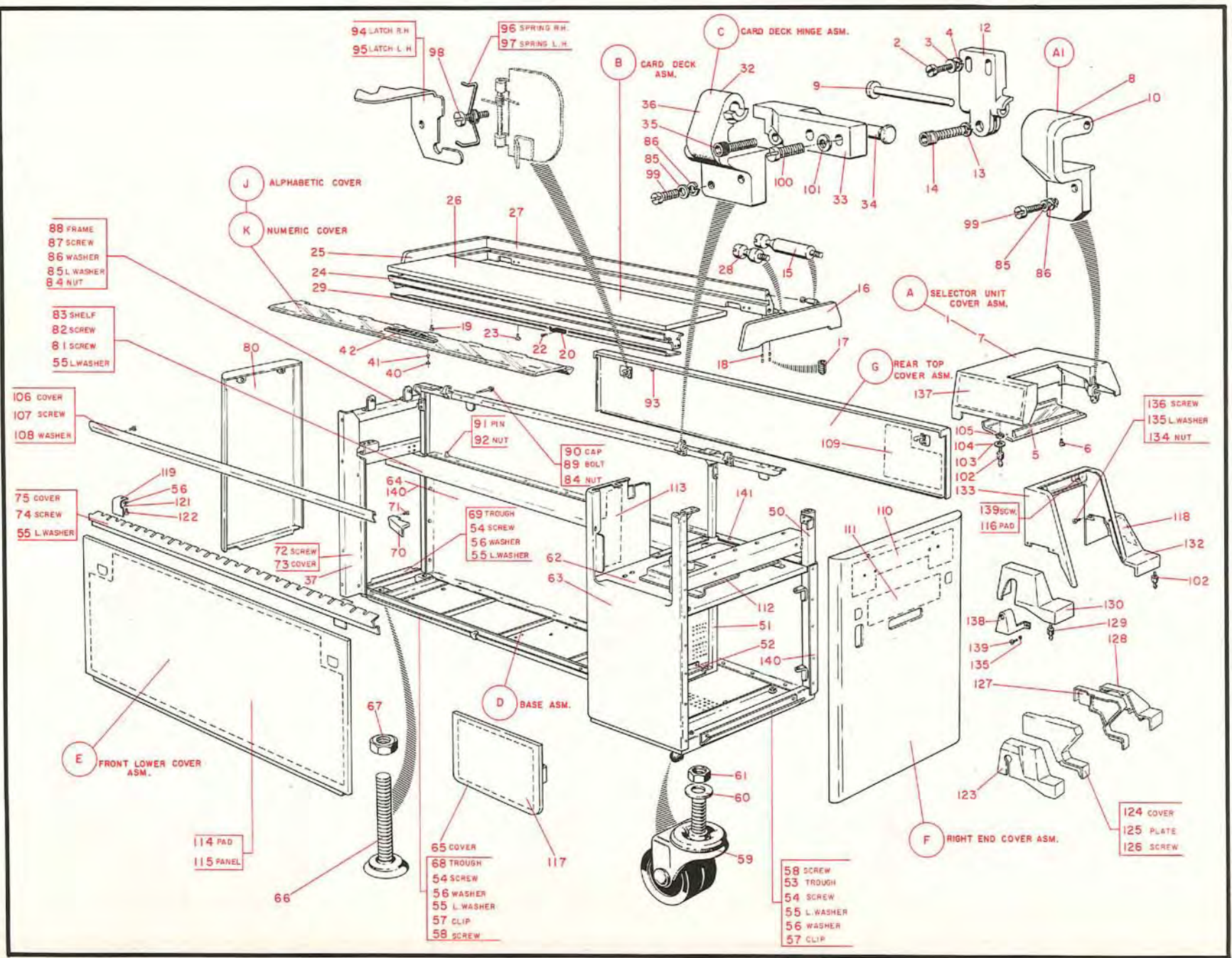




FIG. 83-1

VINYL SPRAY COVERS



- 94 LATCH R.H.
- 95 LATCH L.H.
- 96 SPRING R.H.
- 97 SPRING L.H.

- 88 FRAME
- 87 SCREW
- 86 WASHER
- 85 L. WASHER
- 84 NUT

- 83 SHELF
- 82 SCREW
- 81 SCREW
- 55 L. WASHER

- 106 COVER
- 107 SCREW
- 108 WASHER

- 75 COVER
- 74 SCREW
- 55 L. WASHER

- 114 PAD
- 115 PANEL

- 65 COVER
- 68 TROUGH
- 54 SCREW
- 56 WASHER
- 55 L. WASHER
- 57 CLIP
- 58 SCREW

- 58 SCREW
- 53 TROUGH
- 54 SCREW
- 55 L. WASHER
- 56 WASHER
- 57 CLIP

- 136 SCREW
- 135 L. WASHER
- 134 NUT

- 124 COVER
- 125 PLATE
- 126 SCREW

REF.	PART NO.	DESCRIPTION
A	336470	LATCH ASM. LEFT HAND
	336739	LATCH ASM. RIGHT HAND
1	207543	PAD FLUSH LATCH
2	219615	NUT SPEED
B	336219	COVER ASM. LEFT BELL
C	336620	COVER ASM. LEFT CORNER
D	336513	COVER ASM. PEDESTAL
PARTS NOT INCLUDED WITH SUB ASSEMBLIES		
10	313731	NUT
11	56121	LOCKWASHER
12	45690	WASHER
13	336453	CAP LEFT END BELL
14	237032	WASHER
15	55467	NUT
16	336421	COVER FRONT LOWER
17	336437	PANEL SPECIAL FEATURES
18	336508	COVER LOWER REAR
19	336622	SLEEVE FOOT REST
20	56079	LOCKWASHER
21	9092	LOCKWASHER

REF.	PART NO.	DESCRIPTION
22	206459	SCREW
23	336503	BRACKET
24	32617	SCREW
25	336505	SUPPORT CARD DECK
26	336496	BRACKET COVER SUPPORT
27	7321	SCREW
29	336502	BRACKET REAR RAIL
30	336722	STRIKER LATCH UPPER REAR COVER
31	120211	SCREW
32	336429	STRIKER LATCH RIGHT END BELL
33	336504	CAP BACK COVER
34	38235	SCREW BACK COVER CAP
35	166572	WASHER BACK COVER CAP
36	257187	NUT BACK COVER CAP
37	336517	COVER UPPER REAR
38	336449	CAP RIGHT END BELL
39	336516	COVER RIGHT END BELL
40	222377	SEAL DUST
41	336541	BRACKET FUSE PANEL
42	225815	SPACER FUSE PANEL
43	336868	PANEL FUSE (VINYL SPRAY)
	336540	PANEL FUSE (VINYL CLAD)
44	2596	SCREW FUSE PANEL
45	336448	INSULATION MAIN LINE SWITCH
46	163	SCREW MAIN LINE SWITCH

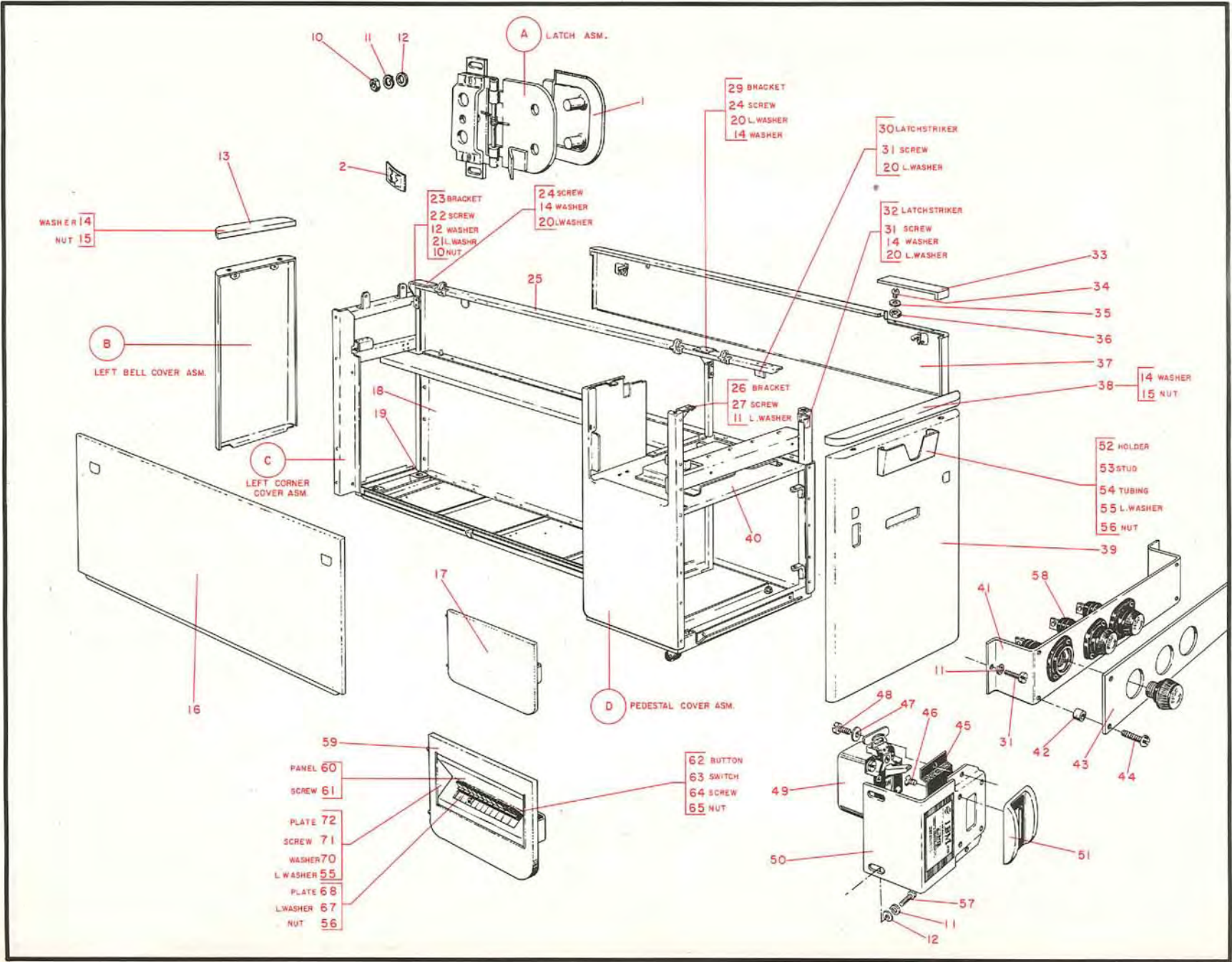
REF.	PART NO.	DESCRIPTION
47	24327	WASHER
48	38235	SCREW
49	336576	SWITCH MAINLINE
50	336432	BRACKET MAINLINE SWITCH
51	206951	GUARD MAINLINE SWITCH
52	336676	HOLDER CARD WEIGHT
53	336677	STUD CARD WEIGHT HOLDER
54	336678	TUBING CARD WEIGHT HOLDER
55	6364	LOCKWASHER
56	38051	NUT
57	140425	SCREW MAINLINE SWITCH BRACKET
58	104615	HOLDER FIBER FUSE
59	266347	PANEL SPECIAL FEATURES (VINYL SPRAY)
	265113	PANEL SPECIAL FEATURES (VINYL CLAD)
60	265112	PANEL SUPPRESS SWITCH
61	183900	SCREW SUPPRESS PANEL
62	265111	BUTTON SUPPRESS SWITCH
63	265110	SWITCH
64	38574	SCREW SWITCH MTG.
65	336628	FASTENER SWITCH PANEL
67	56722	LOCKWASHER SUPPORT PLATE
68	265123	PLATE SUPPORT
70	1090622	WASHER SIDE PLATE MTG.
71	1942	SCREW SIDE PLATE MTG.
72	336470	PLATE SIDE

FIG. 83-2

MAY 15, 1958

VINYL CLAD COVERS

FIG. 83-2



VINYL CLAD COVERS

REF.	PART NO.	DESCRIPTION
A	336761	CONTACT ASM. CARD LEVER
1	11900	INSULATOR CONTACT SPRING
2	24740	SCREW TERMINAL
3	100229	INSULATION SCREW
4	173205	SCREW
5	309047	TERMINAL CONTACT
6	336762	BRACKET
A1	150243	CONTACT ASM.
A2	151774	CONTACT ASM.
A3	152711	TERMINAL ASM. CONTACT
7	118418	SCREW
B	336729	PLATE ASM. HOPPER BED
C	336150	BLOCK ASM. PICKER KNIFE
D	336151	BLOCK ASM. THROAT KNIFE
E	336675	WEIGHT ASM. CARD
8	80650	SCREW
9	336249	SPRING
E1	336673	WEIGHT ASM.
10	336688	SCREW

REF.	PART NO.	DESCRIPTION
F	336232	BLOCK ASM. THROAT ROLLER
11	22547	WASHER
12	233355	BEARING BALL
13	336142	BLOCK THROAT ROLLER
14	336214	STUD THROAT ROLLER BLOCK
G	336757	PIVOT ASM. CARD LEVER
H	336901	ARM ASM. PICKER KNIFE
16	129654	SCREW
17	60646	WASHER
18	6503	NUT
PARTS NOT INCLUDED WITH SUB ASSEMBLIES		
25	336760	LEVER CARD
26	147297	CLIP
27	336279	GUIDE FLIPPER BRACKET
28	336325	STUD FRONT FRAME
29	1091073	SPRING FLIPPER BRACKET
30	336280	STUD FLIPPER
31	336326	GUIDE FRONT CARD
32	1957	SCREW

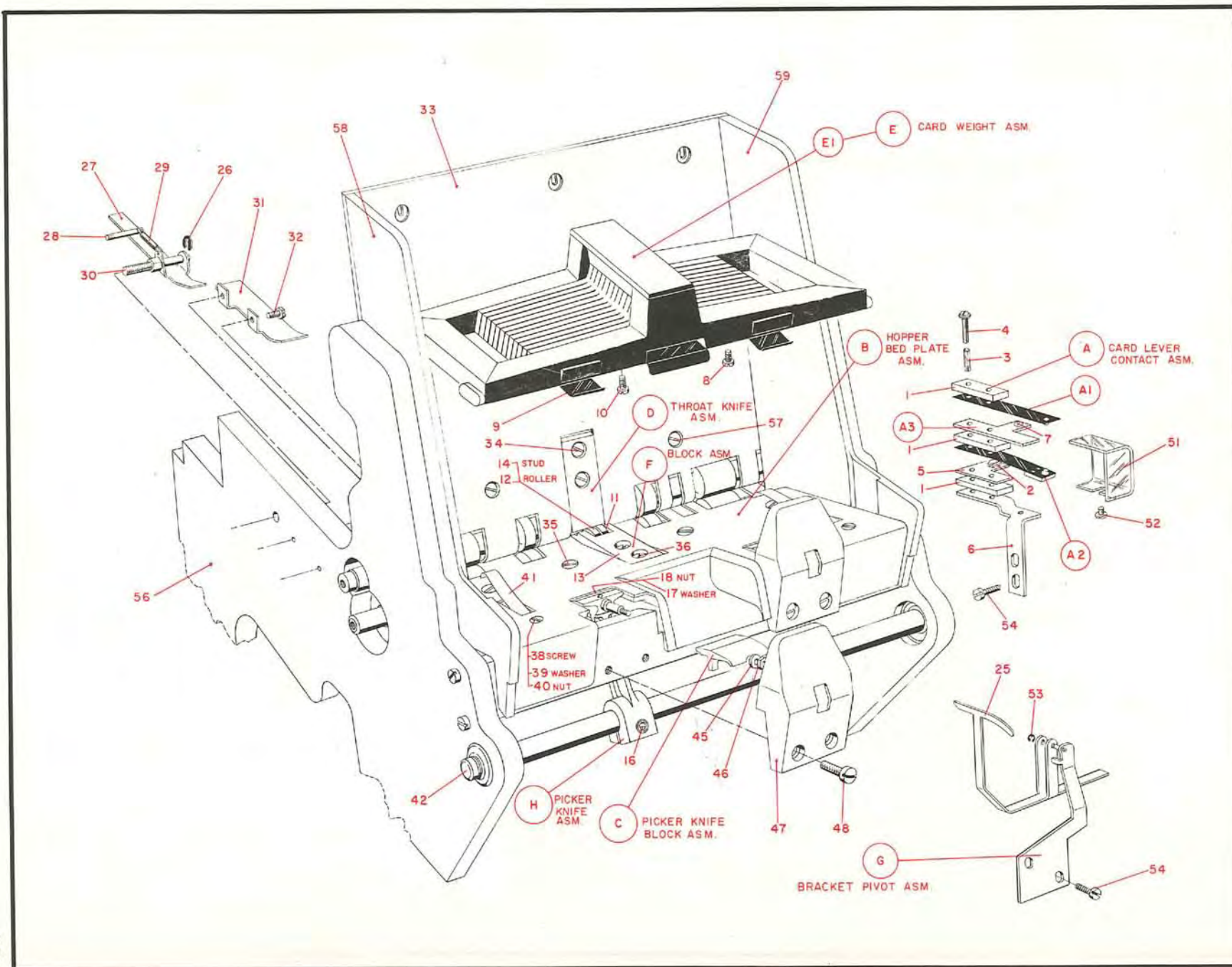
REF.	PART NO.	DESCRIPTION
33	336730	PLATE HOPPER BACK
34	225859	SCREW
35	2179	SCREW
36	55918	SCREW
38	163	SCREW
39	51410	WASHER
40	7341	NUT
41	336305	SPRING CARD SUPPORT
42	336319	SHAFT PICKER KNIFE
45	336282	WASHER
46	6503	NUT
47	336144	POST CARD
48	232	SCREW
51	336764	COVER CARD LEVER CONTACT
52	196298	SCREW
53	219633	CLIP
54	38235	SCREW
56	336168	FRAME FRONT
57	225859	SCREW HOPPER BACK PLATE
58	336165	PLATE HOPPER RIGHT SIDE
59	336166	PLATE HOPPER LEFT SIDE

FEED AND HOPPER



FIG. 83-3

FEED AND HOPPER

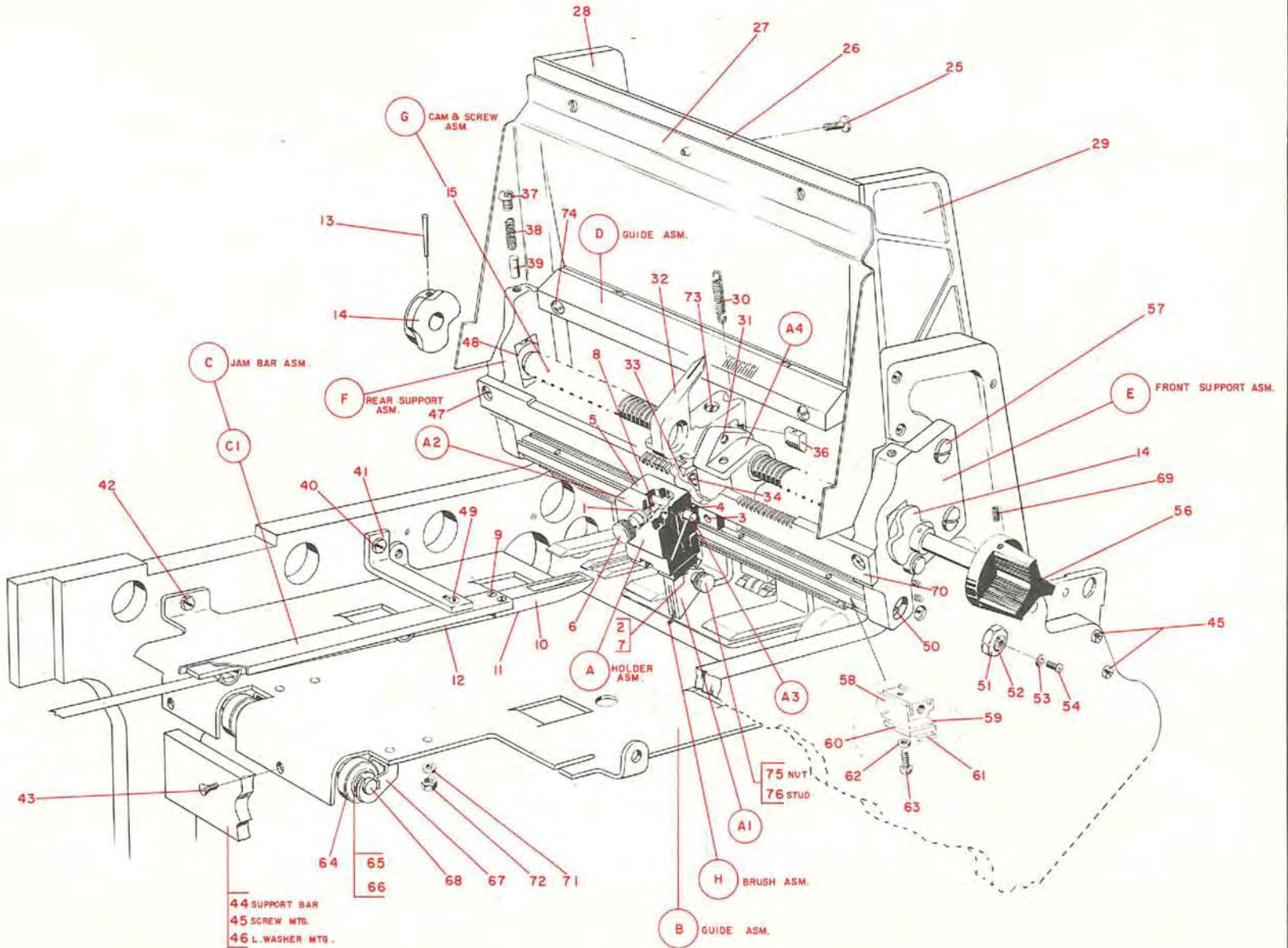


REF.	PART NO.	DESCRIPTION
A	336228	HOLDER ASM. CARD BRUSH
1	22478	WASHER THUMB SCREW
2	336594	SCREW
3	134998	PIN BRUSH HOLDER DOWEL
4	25282	CLIP SPRING
5	336224	BLOCK CARD BRUSH LOCATING
6	336229	SCREW THUMB
7	1090199	WASHER
A1	336227	HOLDER ASM. CARD BRUSH
A2	336223	BLOCK ASM. BRUSH HOLDER
A3	336226	BAR ASM. HOLDER LOCATING
A4	11606	HEAD ASM.
8	336775	STUD BRUSH HOLDER LOCKING
B	336752	GUIDE ASM. LOWER CARD
C	336127	BAR ASM. JAM (SEE ALSO FIG. 12)
9	336585	SCREW
10	336133	TIP JAM
11	53042	SCREW
12	336139	TAPE JAM BAR
C1	336128	CHANNEL ASM. JAM BAR
D	336159	GUIDE ASM. INDEX
E	336338	SUPPORT ASM. TRAVERSE (FRONT)
F	336247	SUPPORT ASM. TRANSVERSE (REAR)

REF.	PART NO.	DESCRIPTION
G	336231	CAM ASM. SCREW & INDEX
13	10308	PIN TAPER
14	336212	CAM CARD BRUSH LIFTING
15	336213	SCREW INDEX 80 COLUMN
H	202	BRUSH ASM.
PARTS NOT INCLUDED WITH SUB ASSEMBLIES		
25	225859	SCREW
26	336730	PLATE HOPPER BACK
27	336343	BRACKET BUMPER SUPPORT
28	336165	PLATE HOPPER RIGHT SIDE
29	336166	PLATE HOPPER LEFT SIDE
30	11603	SPRING BAR INDEX
31	11587	PIN
32	336784	POINTER COLUMN INDEX
33	11582	LOCATER BAR INDEX
34	336743	SCREW
36	336785	NUT INDEX HEAD
37	11605	SCREW
38	11604	SPRING
39	35762	PIN
40	455	SCREW
41	336135	SUPPORT BAR
42	130562	SCREW
43	38433	SCREW
44	336281	BAR FEED FRAME SUPPORT

REF.	PART NO.	DESCRIPTION
45	641	SCREW MTG.
46	6318	LOCKWASHER MTG.
47	23858	SCREW
48	11585	BEARING BRUSH CONTROL
49	38350	SCREW
50	232	SCREW
51	8163	NUT
52	138296	SCREW HOPPER PLATE ADJUSTING
53	22066	WASHER
54	420	SCREW
56	336824	KNOB COLUMN INDEX
57	25627	SCREW
58	10442	BAR BRUSH CONTROL
59	10444	SHIM BRUSH CONTROL
60	10445	STRIP BRUSH CONTROL
61	300874	SHIELD BRUSH CONTROL
62	1866	WASHER
63	186	SCREW
64	155749	BEARING
65	336837	SPACER LOWER TRANSPORT ROLL
66	336652	WASHER
67	336651	BRACKET LOWER FEED ROLL
68	336751	SHAFT 4TH LOWER FEED ROLL
	336650	SHAFT LOWER FEED ROLLS
69	81404	SCREW KNOB SET
70	12458	BAR INDEX
71	24327	WASHER
72	38051	NUT
73	4236	SCREW BRUSH CONTROL
74	322551	SCREW INDICATOR BAR MTG.
75	336308	STUD CARD BRUSH CLAMP
76	336309	NUT CARD BRUSH CLAMP

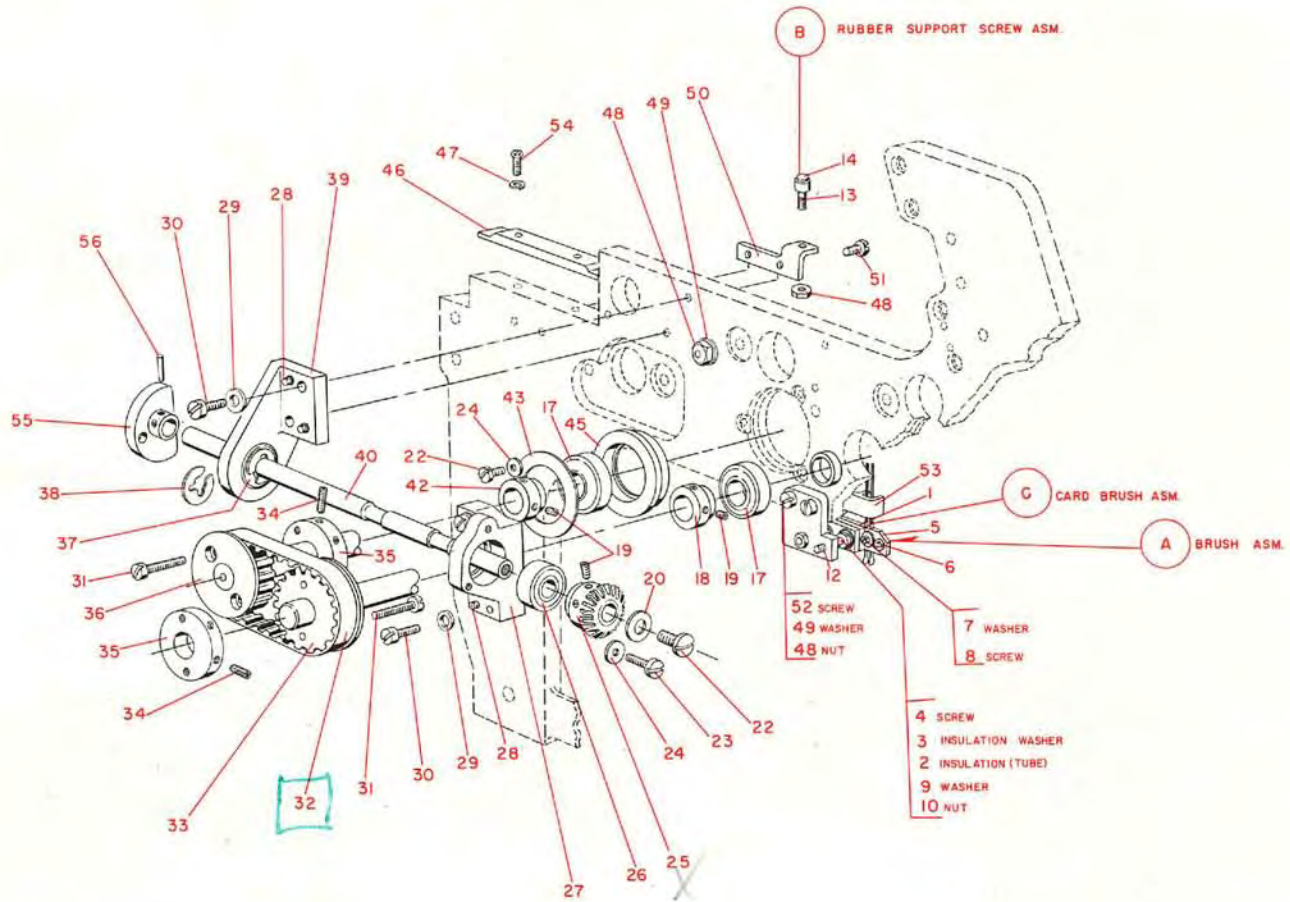
FIG. 83-4



INDEX HEAD

REF. PART NO.	DESCRIPTION	REF. PART NO.	DESCRIPTION	REF. PART NO.	DESCRIPTION
A	336246 BRUSH ASM. COMMON HOLDER	PARTS NOT INCLUDED WITH SUB ASSEMBLIES		35	336254 COLLAR
1	11900 INSULATION	17	156364 BEARING CONTACT ROLL	36	336145 PULLEY 2ND LEVER FEED ROLL
2	100464 INSULATION SCREW	18	336310 COLLAR CONTACT ROLL	37	156364 BEARING BALL
3	138281 WASHER INSULATION	19	1073462 SCREW	38	237245 CLIP RETAINING
4	173212 SCREW	20	45652 WASHER SELECTOR CAM SHAFT	39	336149 HOUSING BEARING BRACKET
5	179269 HOLDER BRUSH	21	38235 SCREW	40	336291 SHAFT
6	118418 SCREW	22	38352 SCREW	42	336310 COLLAR FEED ROLL BEARING RETAINING
7	45625 WASHER HOLDER SCREW	23	336322 WASHER	43	336315 RETAINER 2ND LOWER FEED ROLL
8	103893 SCREW HOLDER	24	336261 GEAR SELECTOR UNIT CAM	45	336270 HUB 2ND LOWER FEED ROLL
9	22066 WASHER	26	155749 BEARING SELECTOR CAM SHAFT	46	336298 BLOCK SELECTOR UNIT LOCATING
10	23815 NUT	27	336147 HOUSING BEARING BEVEL GEAR	47	6364 LOCKWASHER SELECTOR UNIT BLOCK
12	336235 BRACKET BRUSH HOLDER	28	196818 PIN	48	23931 NUT
B	116314 SCREW ASM. RUBBER SUPPORT	29	130374 LOCKWASHER	49	60646 LOCKWASHER
13	114307 SCREW BUMPER	30	2031 SCREW	50	336343 BRACKET BUMPER SUPPORT
14	115413 BUMPER RUBBER	31	336324 SCREW	51	1413 SCREW CHUTE BLADE SUPPORT
C	28772 BRUSH ASM. CARD	32	336257 BELT CONTACT PULLEY	52	2384 SCREW COMMON BRUSH CONTACT
		33	336143 PULLEY CONTACT TIMING	53	336156 GUIDE COMMON BRUSH
		34	336359 SCREW	54	38574 SCREW SELECTOR UNIT GUIDE BLOCK
				55	336782 CAM SELECTOR UNIT
				56	19167 PIN TAPER

FIG. 83-5



SELECTOR AND CONTACT ROLL DRIVE

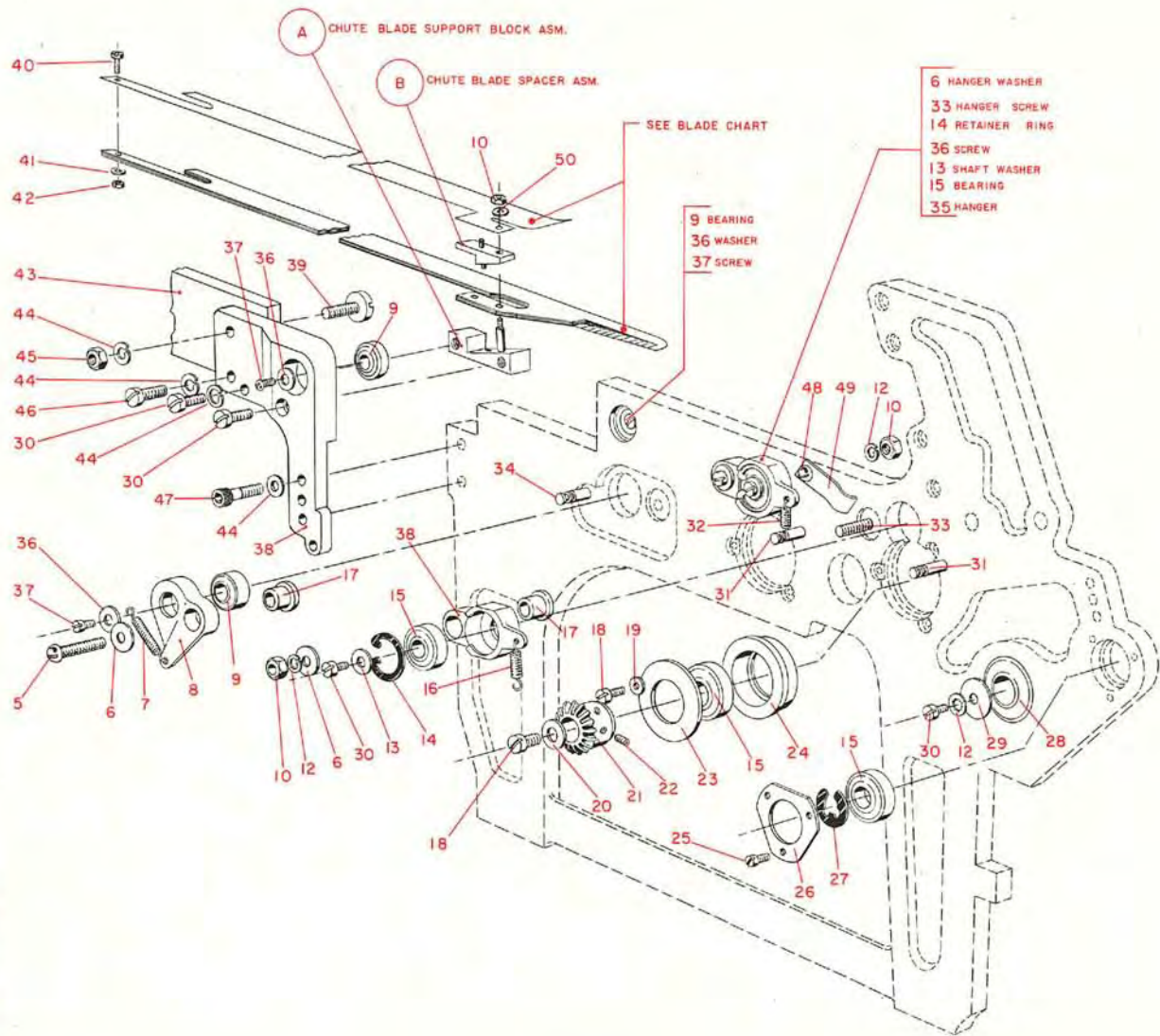
REF.	PART NO.	DESCRIPTION
A	336954	BLOCK ASM. CHUTE BLADE SUPPORT
B	336958	SPACER ASM. CHUTE BLADE
PARTS NOT INCLUDED WITH SUB ASSEMBLIES		
5	205759	SCREW 3RD LOWER ROLLER
6	336323	WASHER
7	42827	SPRING 3RD LOWER ROLLER
8	336148	HANGER BEARING 3RD LOWER ROLLER
9	110129	BEARING
10	257187	NUT
12	60646	LOCKWASHER
13	102691	WASHER
14	336320	RING RETAINING
15	156364	BEARING
16	226798	SPRING FIRST UPPER FEED ROLL

REF.	PART NO.	DESCRIPTION
17	336152	SLEEVE
18	38235	SCREW
19	336322	WASHER
20	45677	WASHER 1ST LOWER FEED ROLL
21	336260	GEAR 1ST LOWER FEED ROLL
22	1073462	SCREW SET
23	336315	RETAINER 1ST LOWER FEED ROLL
24	336270	HUB BEARING
25	38352	SCREW
26	336346	RETAINER PICKER SHAFT
27	237245	CLIP PICKER SHAFT
28	156231	BEARING CAM SHAFT
29	110029	WASHER CAM SHAFT FRONT
30	845	SCREW
31	336301	STUD FRAME FRONT
32	151439	SPRING

REF.	PART NO.	DESCRIPTION
33	2025	SCREW FEED ROLL HANGER
34	336325	STUD REAR
35	336153	HANGER BEARING HOUSING
36	114201	WASHER
37	38262	SCREW
38	336297	BRACKET FRONT RAIL ADAPTER
39	336284	SCREW SIDE RAIL DOWEL
40	10170	SCREW CHUTE BLADE ANCHOR
41	6364	LOCKWASHER CHUTE BLADE ANCHOR
42	38051	NUT CHUTE BLADE ANCHOR
43	336191	RAIL FRONT SIDE
44	9092	LOCKWASHER
45	221	NUT
46	232	SCREW RIGHT RAIL END
47	149695	SCREW RAIL ADAPTER
48	38574	SCREW
49	18082	CLAMP
50	1090622	WASHER

CHUTE BLADES AND FRONT BEARINGS

FIG. 83-6



- 6 HANGER WASHER
- 33 HANGER SCREW
- 14 RETAINER RING
- 36 SCREW
- 13 SHAFT WASHER
- 15 BEARING
- 35 HANGER

- 9 BEARING
- 36 WASHER
- 37 SCREW

BLADE CHART	
BLADE NO.	CHUTE NO.
336974	GUIDE
336975	0
336965	1
336966	2
336967	3
336968	4
336969	5
336970	6
336971	7
336972	8
336973	9
336976	11
336964	12

CHUTE BLADES AND FRONT BEARINGS

## REF. PART NO. DESCRIPTION

11	156364	BEARING
12	237245	CLIP RETAINING
13	336169	FRAME REAR
14	161370	DOWEL SIDE FRAME CASTING
15	19852	SCREW SIDE FEED FRAME
16	6935	LOCKWASHER SIDE FEED FRAME
17	336276	RETAINER BEARING
18	156231	BEARING CAM SHAFT
19	336277	WASHER CAM SHAFT BACK
20	2903	WASHER
21	60646	LOCKWASHER
22	12954	SCREW
23	336310	COLLAR CONTACT ROLL
24	336312	RETAINER CONTACT ROLL REAR
25	38235	SCREW
26	336322	WASHER
27	336311	HUB CONTACT ROLL BEARING
28	205759	SCREW

## REF. PART NO. DESCRIPTION

29	336323	WASHER
30	336146	HANGER BEARING
31	226798	SPRING
32	336152	SLEEVE PIVOT
33	641	SCREW
34	336300	DOWEL THROAT ROLLER BAR
35	1535	SCREW THROAT ROLLER BAR
36	336325	STUD REAR FRAME
37	1090622	WASHER
38	38574	SCREW
39	336320	RING RETAINING
40	151439	SPRING
41	336153	HANGER HOUSING
42	336346	RETAINER THIRD UPPER ROLL
43	38352	SCREW
44	232	SCREW
45	38350	SCREW 4TH UPPER ROLL RETAINING
46	45652	WASHER 4TH UPPER ROLL RETAINING

## REF. PART NO. DESCRIPTION

47	9092	LOCKWASHER
48	204616	SCREW SELECTOR UNIT HINGE
49	231658	SWITCH INTERLOCK
50	23931	NUT
51	1073462	SCREW CONTACT ROLL COLLAR
52	336299	BAR THROAT KNIFE SUPPORT
53	336259	BAR HOPPER BASE SUPPORT
54	8163	NUT HOPPER PLATE ADJUSTING
55	22066	WASHER HOPPER PLATE ADAPTER
56	420	SCREW HOPPER PLATE ADAPTER
57	138296	SCREW HOPPER PLATE ADJUSTING
58	221	NUT
59	336284	SCREW DOWEL
60	336274	BAR UPPER PLATE SUPPORT
61	336302	BAR CARD POST SUPPORT
62	336763	SUPPORT CARD LEVER BRACKET
63	327064	BRACKET
64	336612	INSULATOR

REAR BEARINGS



REAR BEARINGS

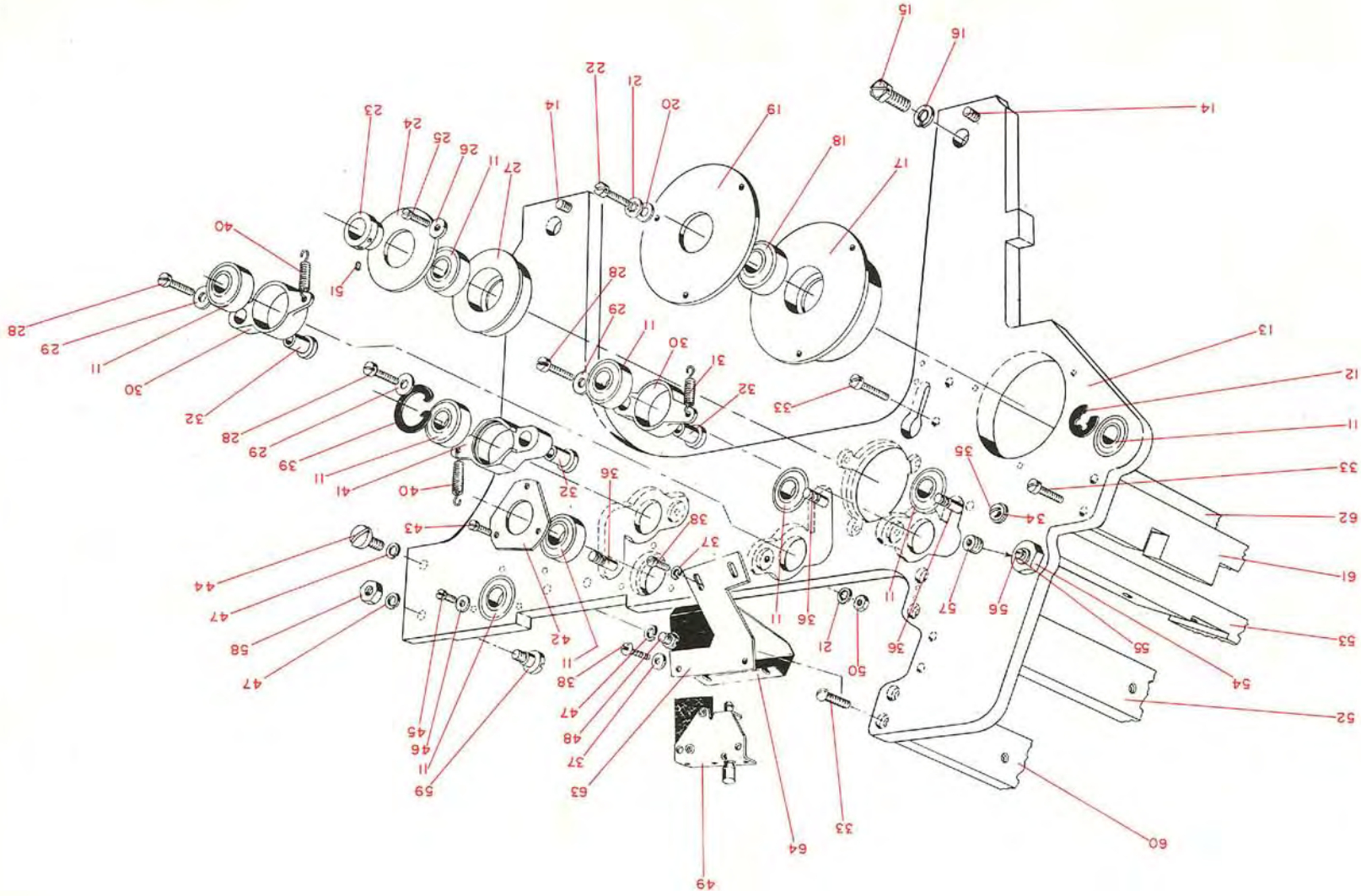


FIG. 83-7

REF.	PART NO.	DESCRIPTION
A	336106	GEAR ASM. FIRST LOWER FEED ROLL
B	336546	MOTOR ASM. 115V. 60 CYCLE
	336795	MOTOR ASM. 230V. 60 CYCLE
	336843	MOTOR ASM. 115V. D.C.
	336848	MOTOR ASM. 230V. D.C.
	336871	MOTOR ASM. 115V. 50 CYCLE
	336872	MOTOR ASM. 230V. 50 CYCLE
C	336695	SHEAVE ASM. 60 CYCLE & D.C. GROUPS
	142036	PULLEY ASM. MOTOR 50 CYCLE GROUPS
NS	148303	ADAPTER PULLEY SHAFT 50 CYCLE
PARTS NOT INCLUDED WITH SUB ASSEMBLIES		
11	336265	GEAR FIRST UPPER FEED ROLL
12	336267	GEAR FEED ROLL
13	1073462	SCREW SET
14	336255	SHEAVE FEED ROLL
X 15	336256	BELT FEED ROLL
16	336143	PULLEY
17	5644	SCREW PULLEY

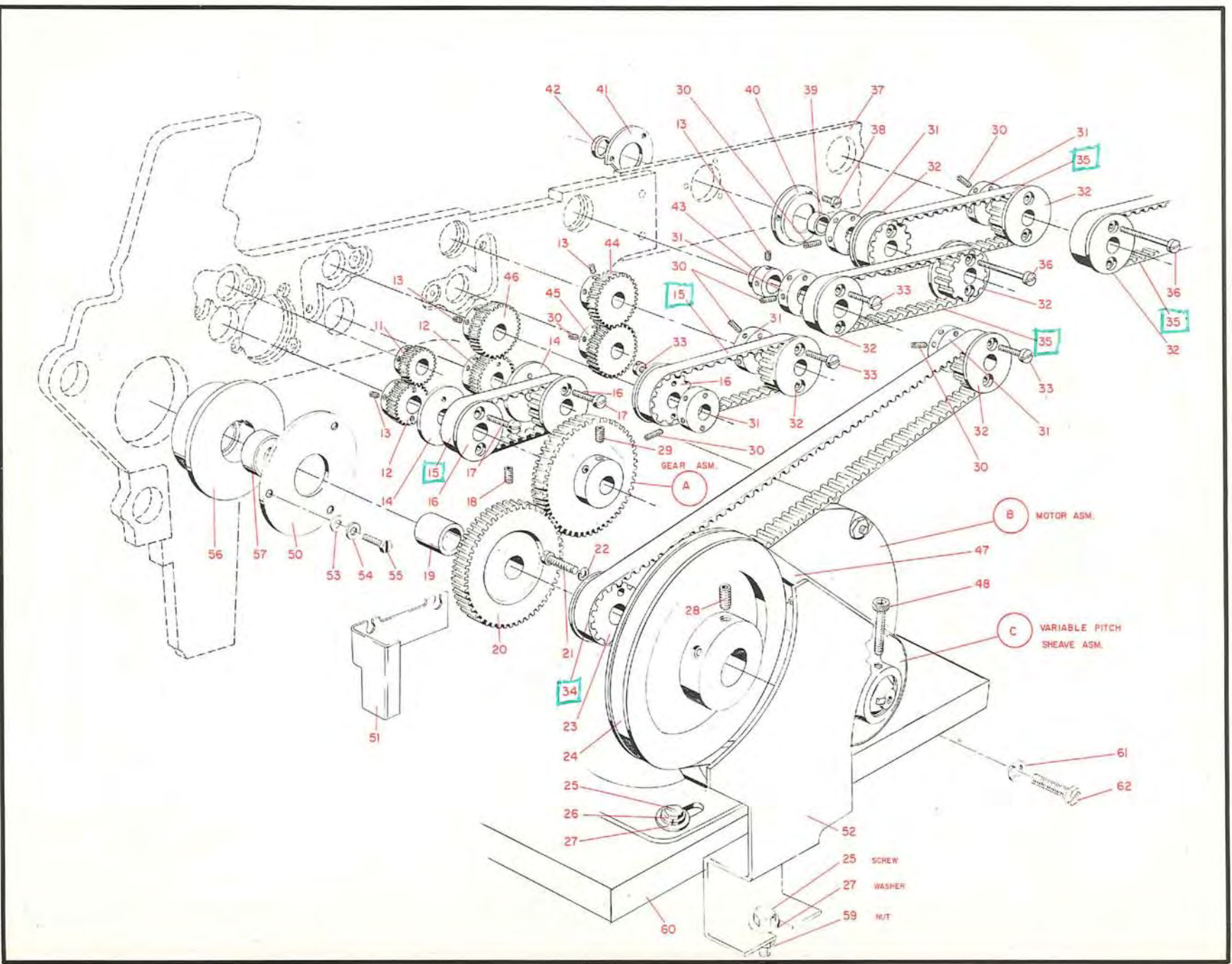
REF.	PART NO.	DESCRIPTION
18	81404	SCREW CAM SHAFT GEAR SET
19	336316	SPACER CAM SHAFT REAR
20	336262	GEAR CAM SHAFT
21	38359	SCREW TIMING BELT PULLEY
22	166572	LOCKWASHER TIMING BELT PULLEY
23	336154	PULLEY SHEAVE CAM SHAFT
24	336162	PULLEY CAM SHAFT
25	5471	SCREW MOTOR MTG.
26	10310	LOCKWASHER MOTOR MTG.
27	13035	WASHER MOTOR MTG.
28	59560	SCREW PULLEY
29	336364	SCREW SET
30	336359	SCREW SET
31	336254	COLLAR
32	336176	PULLEY
33	336324	SCREW PULLEY
34	336264	BELT CAM SHAFT
35	336258	BELT FEED DRIVE
36	336331	SCREW
37	336192	RAIL REAR SIDE
38	38263	SCREW

REF.	PART NO.	DESCRIPTION
39	336593	SPACER TRANSPORT ROLL
40	336345	CLAMP TRANSPORT ROLL
41	336344	PLATE RETAINING TRANSPORT ROLL
42	336534	SPACER FEED ROLLS UPPER
43	336310	COLLAR
44	336269	GEAR 3RD UPPER FEED ROLL
45	336268	GEAR 3RD LOWER FEED ROLL
46	336266	GEAR 2ND UPPER FEED ROLL
47	126385	BELT
48	336696	SCREW SHEAVE
50	336277	WASHER CAM SHAFT BACK
51	336414	GUARD GEAR
52	336416	GUARD BELT
53	2903	WASHER GEAR GUARD
54	60646	LOCKWASHER
55	12954	SCREW CAM SHAFT RETAINER
56	336276	RETAINER CAM SHAFT BEARING
57	156231	BEARING CAM SHAFT
59	25793	NUT BELT GUARD MTG.
60	336170	BASE FEED SUPPORT
61	6935	LOCKWASHER
62	59647	SCREW

MOTOR AND DRIVE

FIG. 83-8

MOTOR AND DRIVE



REF.	PART NO.	DESCRIPTION
A	336002	SELECTOR ASM.
1	6503	NUT
2	6318	WASHER
3	6725	PIN PLATEN SHAFT LEFT HAND
4	38235	SCREW
5	38261	SCREW
6	38262	SCREW
7	38264	SCREW
8	38266	SCREW
9	38562	SCREW YOKE MTG.
10	45621	WASHER
11	45690	WASHER
12	57576	LOCKWASHER
13	110433	SCREW
14	112055	SCREW SET
15	123206	CLIP
17	139472	PIN TAPER
18	233355	BEARING BALL PLAIN
19	302131	INSULATOR TERMINAL BLOCK
20	317227	GROMMET
22	336003	SCREW
23	336004	SCREW
24	336008	STUD FOLLOWER ARM ECCENTRIC
25	336021	BRACKET PIVOT SELECTOR UNIT
26	336028	ARMATURE END PULL WIRE
27	336032	SPRING PIVOT ARMATURE
28	336011	BAR INTERPOSER PAWL

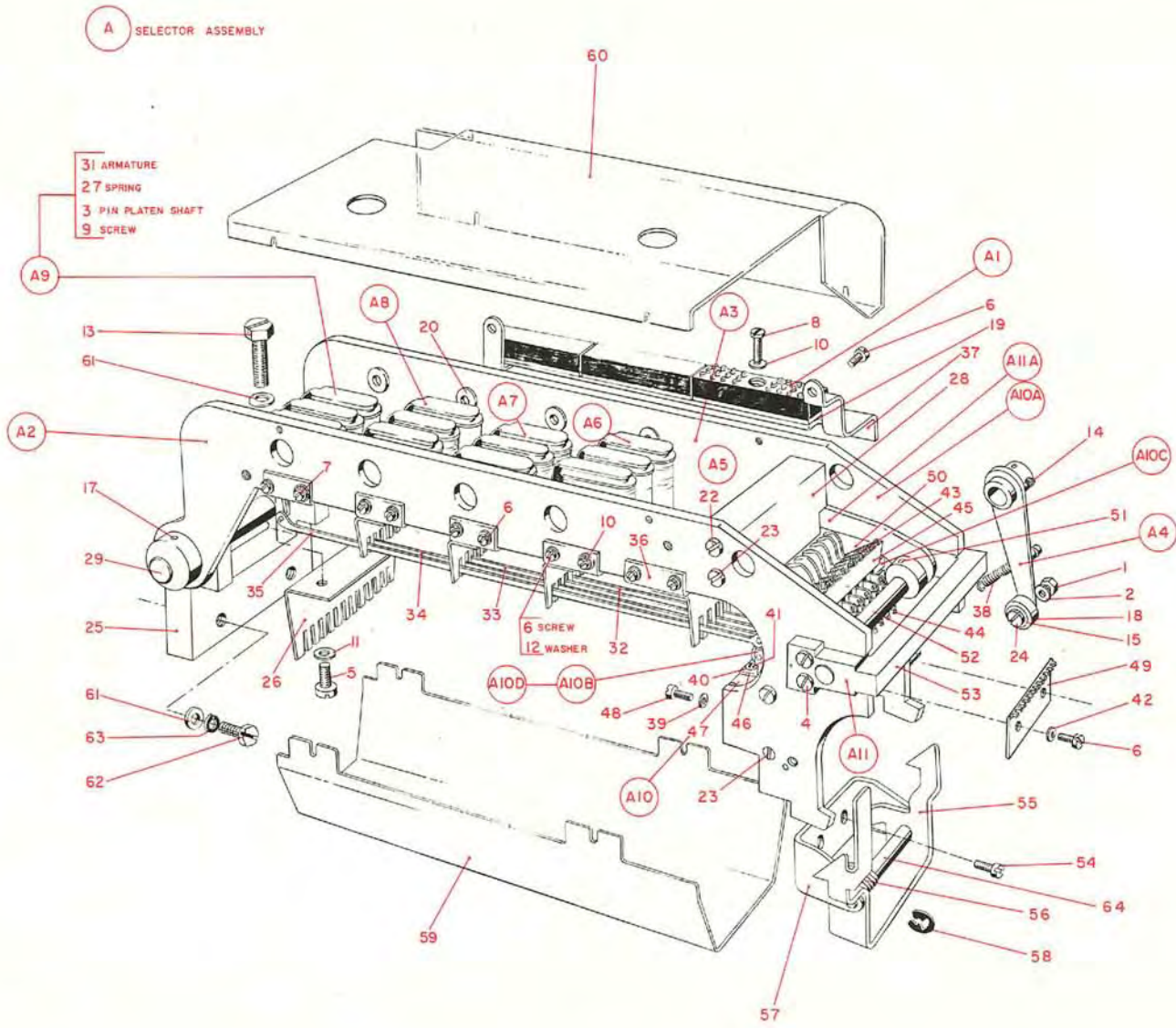
REF.	PART NO.	DESCRIPTION
29	336020	SHAFT PIVOT SELECTOR UNIT
31	336031	ARMATURE
32	336380	PULL LINK
33	336381	PULL LINK
34	336382	PULL LINK
35	336383	PULL LINK
36	336415	GUIDE BRACKET PULL WIRE
37	336701	BRACKET TERMINAL BLOCK
38	336738	SPRING SELECTOR CAM FOLLOWER
A1	302090	BLOCK ASM. TERMINAL
A2	336006	PLATE ASM. LEFT SIDE
A3	336007	PLATE ASM. RIGHT SIDE
A4	336010	ARM ASM. CAM FOLLOWER
A5	336026	COIL ASM. MAGNET
A6	336027	YOKE ASM. MAGNET NO. 1
A7	336029	YOKE ASM. MAGNET NO. 2
A8	336030	YOKE ASM. MAGNET NO. 3
A9	336033	YOKE ASM. MAGNET NO. 4
A10	336745	PAWL ASM. INTERPOSER
39	6364	WASHER
40	11464	WASHER
41	38565	SCREW
42	57576	LOCKWASHER
43	133127	SPRING
44	134542	SPRING
45	336014	SPRING HOLDER
46	336024	STOP SELECTOR PIN

REF.	PART NO.	DESCRIPTION
47	336025	GUIDE SELECTOR PIN
48	336680	SCREW
49	336681	ANCHOR LOCK BAR SPRING
50	336789	BRACKET INTERPOSER PAWL GUIDE
A10A	336012	PAWL ASM. INTERPOSER
A10B	336018	PIN ASM. SELECTOR
A10C	336251	BAR ASM. INTERPOSER PAWL LINK
A10D	336685	PIN ASM. SELECTOR
A11	336786	SHAFT ASM. PIN BAIL
51	4327	PIN TAPER
52	336051	SHAFT PIN BAIL
53	336787	BEARING BAIL SHAFT
A11A	336050	BAIL ASM. PIN

## PARTS NOT INCLUDED WITH SUB ASSEMBLIES

54	337	SCREW LATCH MTG.
55	336341	LATCH SELECTOR UNIT
56	336296	SPRING LATCH
57	336342	BRACKET SELECTOR UNIT LATCH
58	60488	CLIP LATCH SELECTOR UNIT
59	336035	COVER BOTTOM SELECTOR UNIT
60	336064	COVER SELECTOR UNIT
61	45690	WASHER
62	204616	SCREW
63	9092	LOCKWASHER
64	336294	SHAFT SELECTOR UNIT LATCH

FIG. 83-9



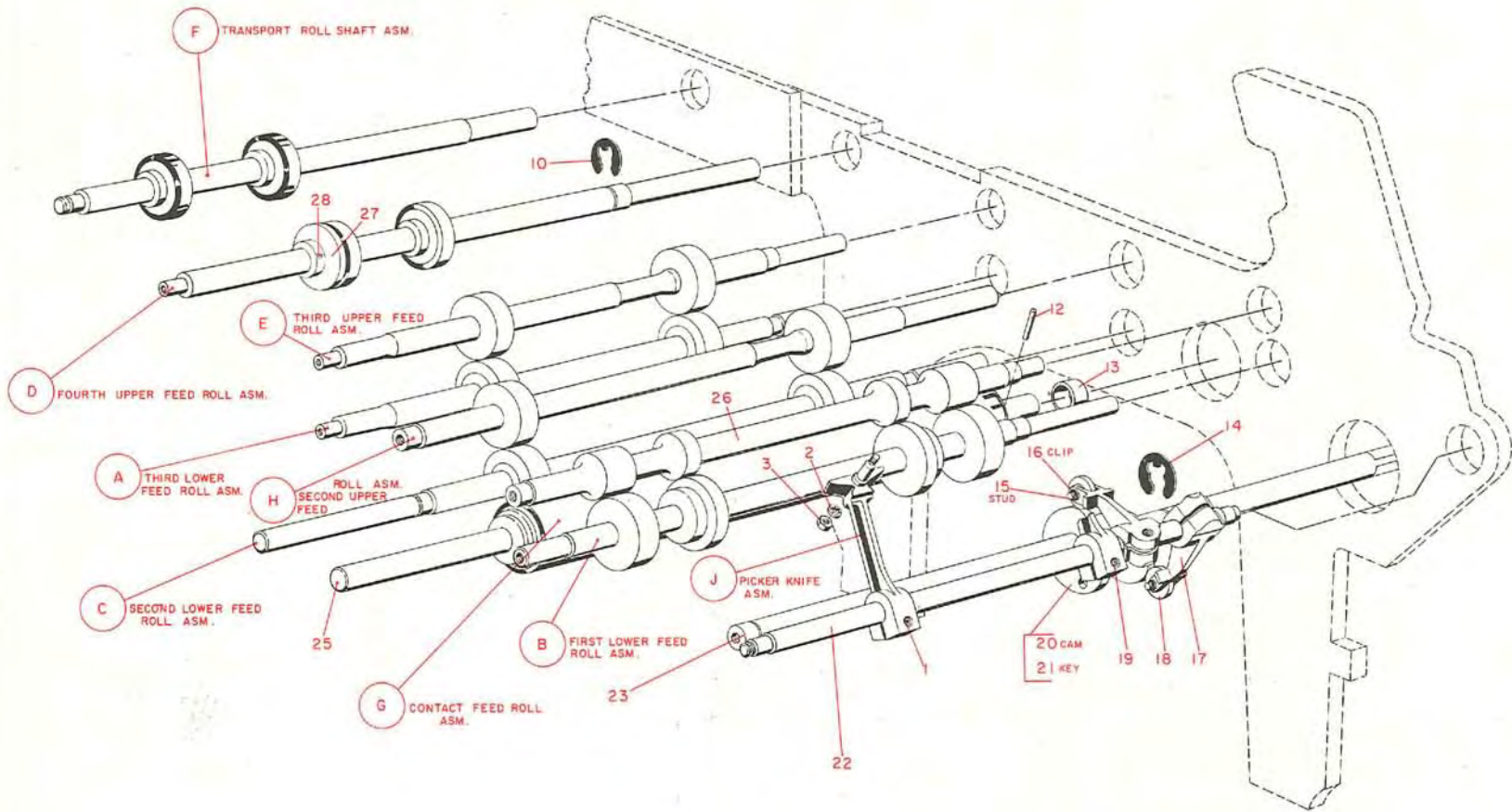
SELECTOR UNIT

REF. PART NO.	DESCRIPTION
A 336086	ROLL ASM. 3RD LOWER FEED
B 336077	ROLL ASM. 1ST LOWER FEED
C 336084	ROLL ASM. 2ND LOWER FEED
D 336092	ROLL ASM. 4TH UPPER FEED
E 336089	ROLL ASM. 3RD UPPER FEED
F 336096	SHAFT ASM. TRANSPORT ROLL
G 336206	ROLL ASM. CONTACT

REF. PART NO.	DESCRIPTION
H 336273	ROLL ASM. 2ND UPPER FEED
J 336901	ARM ASM. PICKER KNIFE
1 129654	SCREW
2 60646	WASHER
3 6503	NUT
PARTS NOT INCLUDED WITH SUB ASSEMBLIES	
10 237245	CLIP RETAINING
12 25643	PIN CONTACT ROLL REAR
13 336313	SPACER CONTACT ROLL
14 219743	CLIP CAM SHAFT

REF. PART NO.	DESCRIPTION
15 336263	STUD CAM FOLLOWER ARM
16 60489	CLIP
17 336141	ARM CAM FOLLOWER
18 336321	BEARING CAM FOLLOWER
19 336363	SCREW SET
20 336163	CAM CARD FEED
21 12015	KEY
22 336319	SHAFT PICKER KNIFE
23 336328	SHAFT CAM
25 336314	SHAFT CONTACT ROLL
26 336158	SHAFT 1ST UPPER FEED ROLL
27 336831	GUIDE FEED ROLL
28 1100523	SCREW SET

FIG. 83-10



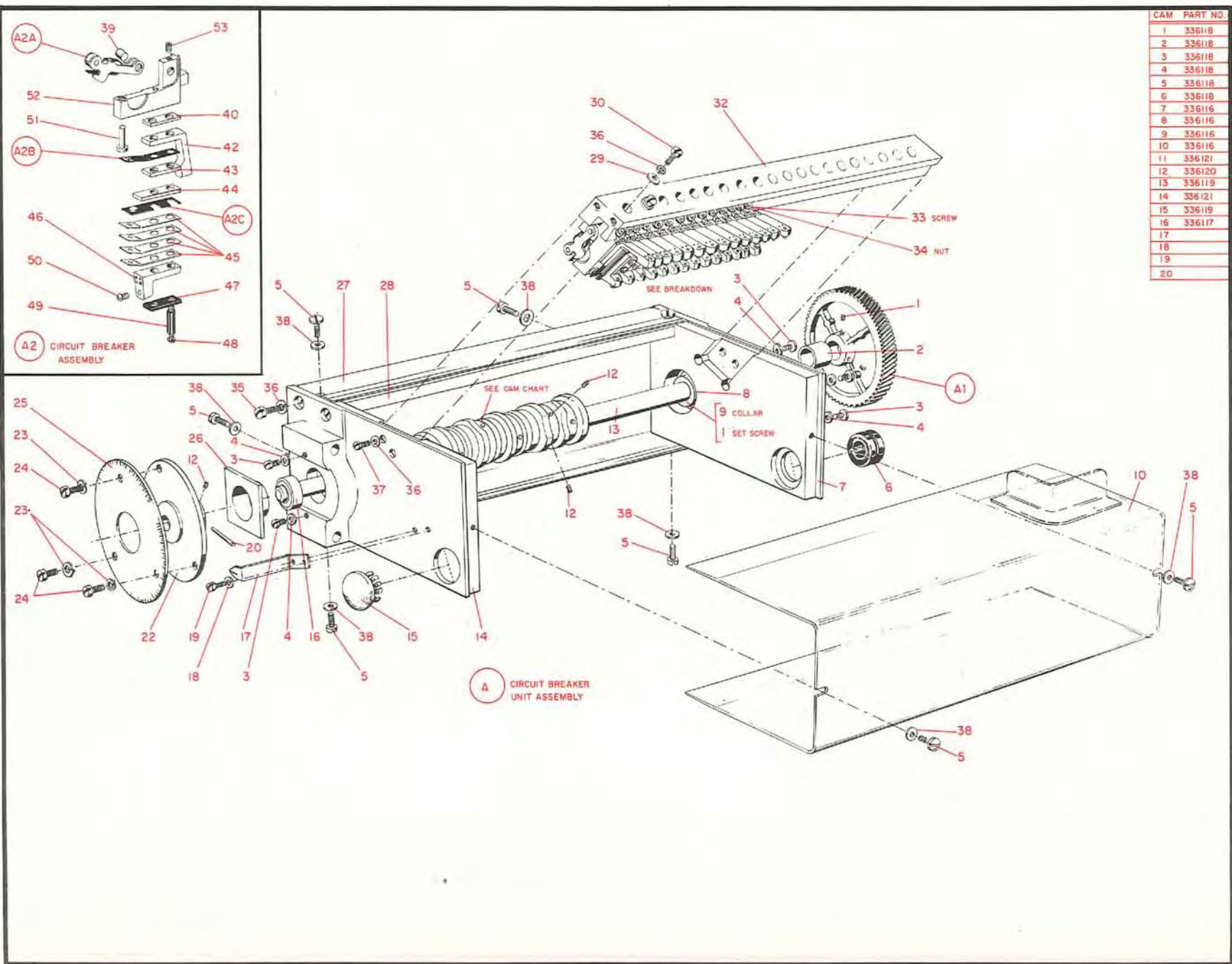
FEED ROLLS

REF. PART NO.	DESCRIPTION	REF. PART NO.	DESCRIPTION	REF. PART NO.	DESCRIPTION
A	336101 UNIT ASM. CIRCUIT BREAKER	19	38351 SCREW	A2	228110 BREAKER ASM. CIRCUIT
1	195 SCREW SET	20	151231 PIN TAPER	39	228475 PIVOT BREAKER ARM
2	336109 SPACER CAM SHAFT	22	336110 HUB INDEX	40	205743 INSULATOR BLOCK CAM CONTACT
3	38263 SCREW	23	6364 LOCKWASHER	42	228480 TERMINAL BLOCK CONTACT
4	45621 WASHER	24	38350 SCREW	43	228147 INSULATOR CONTACT BLOCK
5	10170 SCREW	25	225704 INDEX CIRCUIT BREAKER	44	228477 STIFFENER UPPER CONTACT
6	227379 GROMMET BLOWER SWITCH CABLE	26	336103 SLEEVE BEARING	45	228478 DAMPENER UPPER CONTACT
7	336114 FRAME END UNIT REAR	27	336113 COVER BACK UNIT	46	228481 TERMINAL BLOCK CONTACT
8	156231 BEARING BALL	28	336102 BAR UNIT CROSS	47	230736 INSULATOR BLOCK CAM CONTACT
9	204452 BRACKET COLLAR	29	24511 WASHER	48	228164 SCREW WASHER HEAD
10	336671 COVER UNIT FRONT	30	2031 SCREW	49	100237 INSULATION SCREW
12	1073462 SCREW SET	32	336111 BAR MTG.	50	118418 SCREW
13	336107 SHAFT	33	336793 SCREW SET	51	228476 PLUNGER CONTACT
14	336115 FRAME END UNIT FRONT	34	3817 NUT	52	228472 BLOCK CONTACT MTG.
15	134835 PLUG	35	38368 SCREW	53	101017 SCREW-SET BREAKER ARM PIVOT
16	156364 BEARING BALL	36	6318 LOCKWASHER	A2A	228109 ARM ASM.
17	336108 POINTER INDEX	37	34512 SCREW	A2B	205742 STRAP ASM. CONTACT
18	56722 LOCKWASHER POINTER INDEX	38	45652 WASHER	A2C	228107 STRAP ASM. CONTACT
		A1	336104 GEAR ASM. DRIVE		



FIG. 83-11

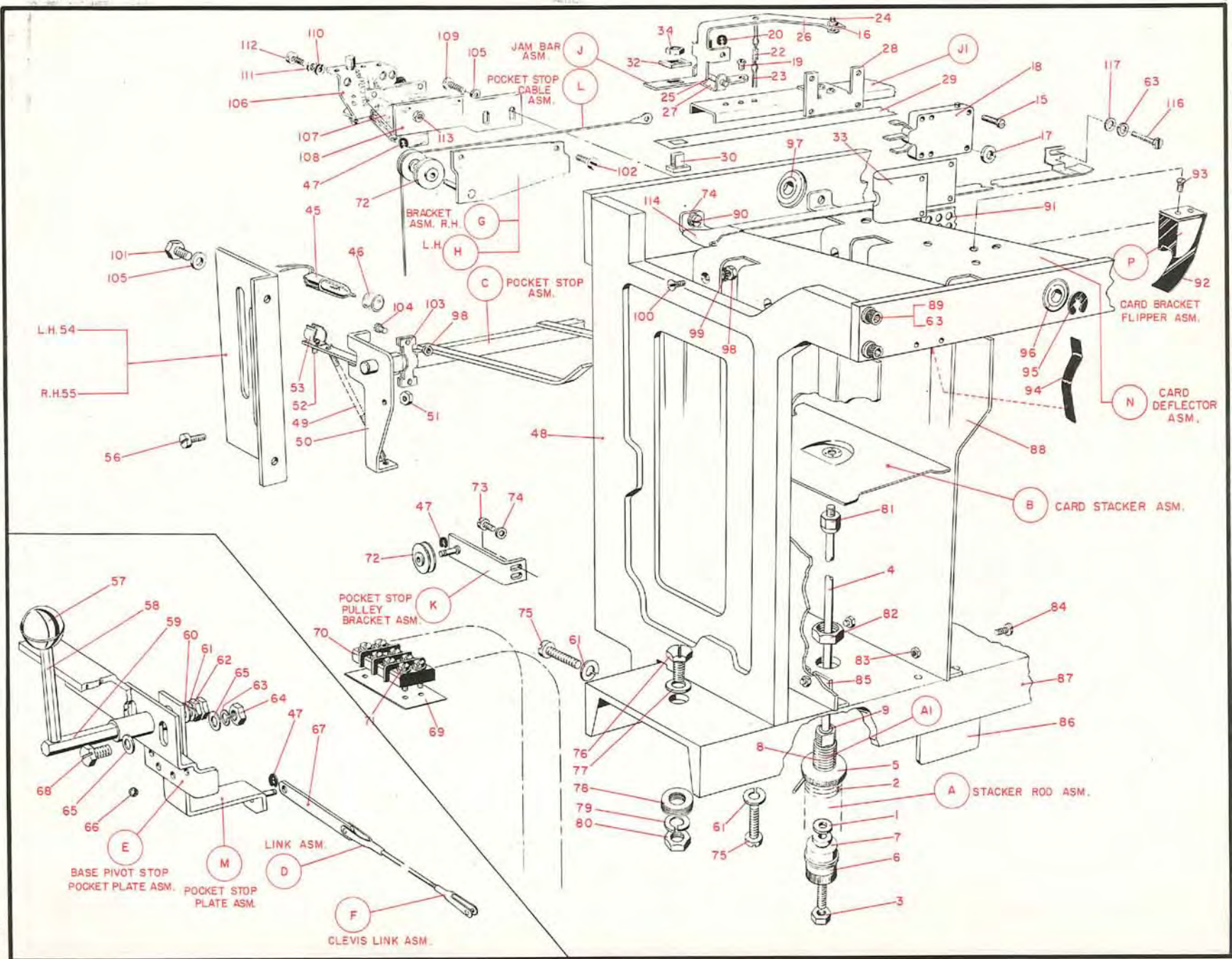
CIRCUIT BREAKER UNIT



CAM	PART NO.
1	336118
2	336118
3	336118
4	336118
5	336118
6	336118
7	336116
8	336116
9	336116
10	336116
11	336121
12	336120
13	336119
14	336121
15	336119
16	336117
17	
18	
19	
20	



FIG. 83-12



POCKET STACKERS

REF. PART NO.	DESCRIPTION
A 336838	CHASSIS ASM. 60 CYCLE GROUPS
336859	CHASSIS ASM. D. C. GROUPS
336857	CHASSIS ASM. 50 CYCLE GROUPS
1 232	SCREW BINDER POST MTG.
2 845	SCREW TRANSFORMER MTG.
4 6318	WASHER TRANSFORMER CONDENSER MTG.
5 9092	LOCKWASHER POST MTG.
7 38350	SCREW CAPACITOR MTG.
8 38354	SCREW TERMINAL BAR MTG.
10 60646	LOCKWASHER TRANSFORMER MTG.
12 218704	CAPACITOR
13 225620	CONDENSER
14 225886	COVER TRANSFORMER TERMINAL BLOCK
15 226417	CAPACITOR
16 257188	NUT BINDER POST
17 257189	NUT

REF. PART NO.	DESCRIPTION
18 282436	RESISTOR
19 288545	RECTIFIER
20 317063	RESISTOR
22 317150	POTENTIOMETER RUN OUT
23 317330	RESISTOR
25 323842	TERMINAL
26 335019	RESISTOR 60 CYCLE GROUPS
335329	RESISTOR 50 CYCLE GROUPS
28 336484	INSULATOR
29 336488	CHASSIS POWER SUPPLY (A.C.)
336842	CHASSIS POWER SUPPLY (D.C.)
30 336689	TRANSFORMER POWER
31 336690	TRANSFORMER STABILIZER (60 CYCLE)
336734	TRANSFORMER STABILIZER (50 CYCLE)
263412	TRANSFORMER FILAMENT (D.C.)
32 336788	CAPACITOR

REF. PART NO.	DESCRIPTION
33 336823	LABEL HIGH VOLTAGE
34 1071644	WASHER
35 336583	COVER BINDER POST
NS 151762	CONNECTOR SOLDERLESS (D.C.)
A1 336555	RECTIFIER ASM. SELENIUM
A2 52445	BLOCK ASM. CONNECTOR
A3 336570	BLOCK ASM. TERMINAL
36 11891	NUT TERMINAL
37 56079	WASHER TERMINAL
38 25894	SCREW TERMINAL
39 125071	SPACER
40 45690	WASHER TERMINAL SCREW
42 38376	SCREW TERMINAL BLOCK MTG.
43 2899	NUT TERMINAL BLOCK MTG.
44 227375	BLOCK TRANSFORMER TERMINAL
45 227376	SUPPORT TERMINAL BLOCK

## PARTS NOT INCLUDED WITH SUB ASSEMBLIES

46 221	NUT POWER PACK MTG.
47 9092	LOCKWASHER MTG. SCREW
48 4569	WASHER POWER PACK MTG. SCREW
49 206459	SCREW POWER PACK MTG.



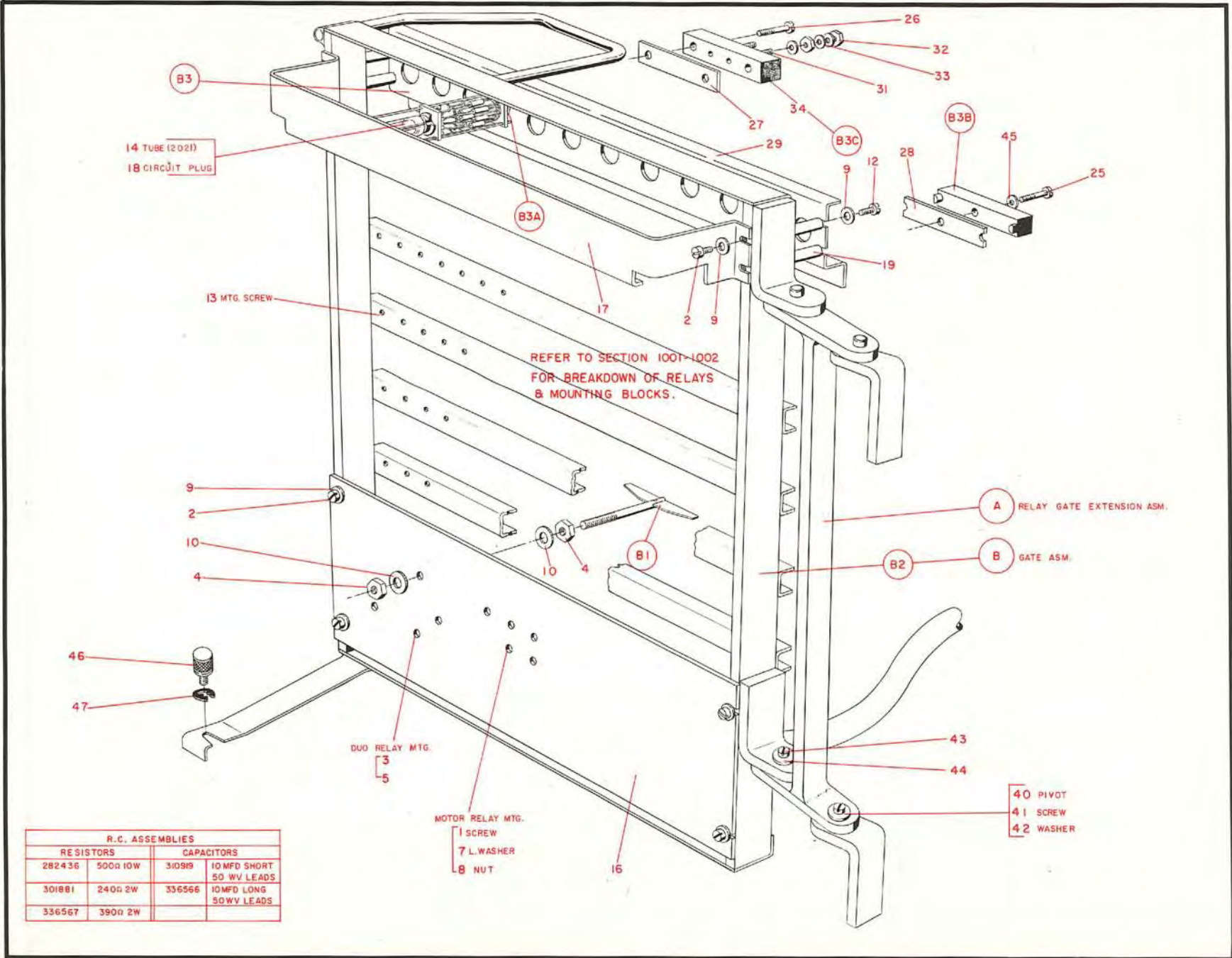
REF.	PART NO.	DESCRIPTION
A	301672	EXTENSION ASM. RELAY GATE
B	336579	GATE ASM. RELAY ALPHABETIC
	336993	GATE ASM. RELAY NUMERIC
1	232	SCREW H.D. RELAY
2	337	SCREW
3	2300	SCREW DUO RELAY
4	3960	NUT TOGGLE BAR
5	6318	LOCKWASHER DUO RELAY
7	9092	LOCKWASHER H.D. RELAY
8	11598	NUT H.D. RELAY
9	22478	WASHER
10	37073	LOCKWASHER TOGGLE BAR
12	52998	SCREW CHASSIS MTG.
13	198363	SCREW MOULDING MTG.

REF.	PART NO.	DESCRIPTION
14	300704	TUBE (2D21)
16	336317	PANEL RELAY MTG.
17	336318	SHIELD TUBE GUARD
18	336616	CIRCUIT PLUG ELECTRONIC
19	133494	COLLAR ELECTRONIC CHASSIS MTG.
B1	207793	BAR ASM. TOGGLE
B2	336358	GATE ASM. RELAY
B3	336572	CHASSIS ASM. ELECTRONIC
25	38566	SCREW PLUG TUBE BAR MTG.
26	52523	SCREW BLOCK MTG.
27	228385	STRIP INSULATION
28	302131	INSULATOR TUBE BAR
29	336466	PLATE TUBE CHASSIS MTG.
B3A	317520	SOCKET ASM. TUBE
B3B	302090	BLOCK ASM. TERMINAL

REF.	PART NO.	DESCRIPTION
B3C	288383	BLOCK ASM. TERMINAL
31	358	SCREW
32	46219	NUT
33	38866	WASHER
34	288384	BLOCK TERMINAL
PARTS NOT INCLUDED WITH SUB ASSEMBLIES		
40	336664	PIVOT
41	38368	SCREW PIVOT
42	22478	WASHER PIVOT
43	2300	SCREW RELAY GATE HINGE
44	131713	WASHER RELAY GATE HINGE
45	45621	WASHER
46	336741	SCREW RELAY GATE
47	1095160	RING RELAY GATE SCREW LOCK

FIG. 83-14

RELAY GATE



R.C. ASSEMBLIES			
RESISTORS		CAPACITORS	
282436	500Ω 10W	310919	10 MFD SHORT 50 WV LEADS
301881	240Ω 2W	336566	10 MFD LONG 50 WV LEADS
336567	390Ω 2W		

REF. PART NO.	DESCRIPTION
A 336490	PANEL ASM. SUPPRESSOR
PARTS NOT INCLUDED WITH SUB ASSEMBLIES	
5 336468	INSULATION SUPPRESSOR PANEL
6 38574	SCREW
7 336352	SWITCH SUPPRESSOR
8 336628	FASTENER SUPPRESSOR SWITCH PANEL
9 1942	SCREW
10 336424	ROD OPERATORS SWITCH PANEL
11 56121	LOCKWASHER OPERATORS SWITCH PANEL

REF. PART NO.	DESCRIPTION
12 11598	NUT OPERATORS SWITCH PANEL
13 336815	BRACKET UNITIZED SWITCH
14 233883	FILLER END UNITIZED
15 336469	COVER TOGGLE SWITCH
16 336793	SCREW OPERATORS SWITCH
17 336442	SLEEVE TOGGLE SWITCH
18 336441	SPACER TOGGLE SWITCH
19 336447	PLATE TOGGLE SWITCH
20 336425	SEAL UNITIZED SWITCH PANEL (LOWER)
21 336821	SEAL UNITIZED SWITCH PANEL (UPPER)
22 233880	HOUSING OPERATORS SWITCH PANEL
23 336708	PANEL OPERATING

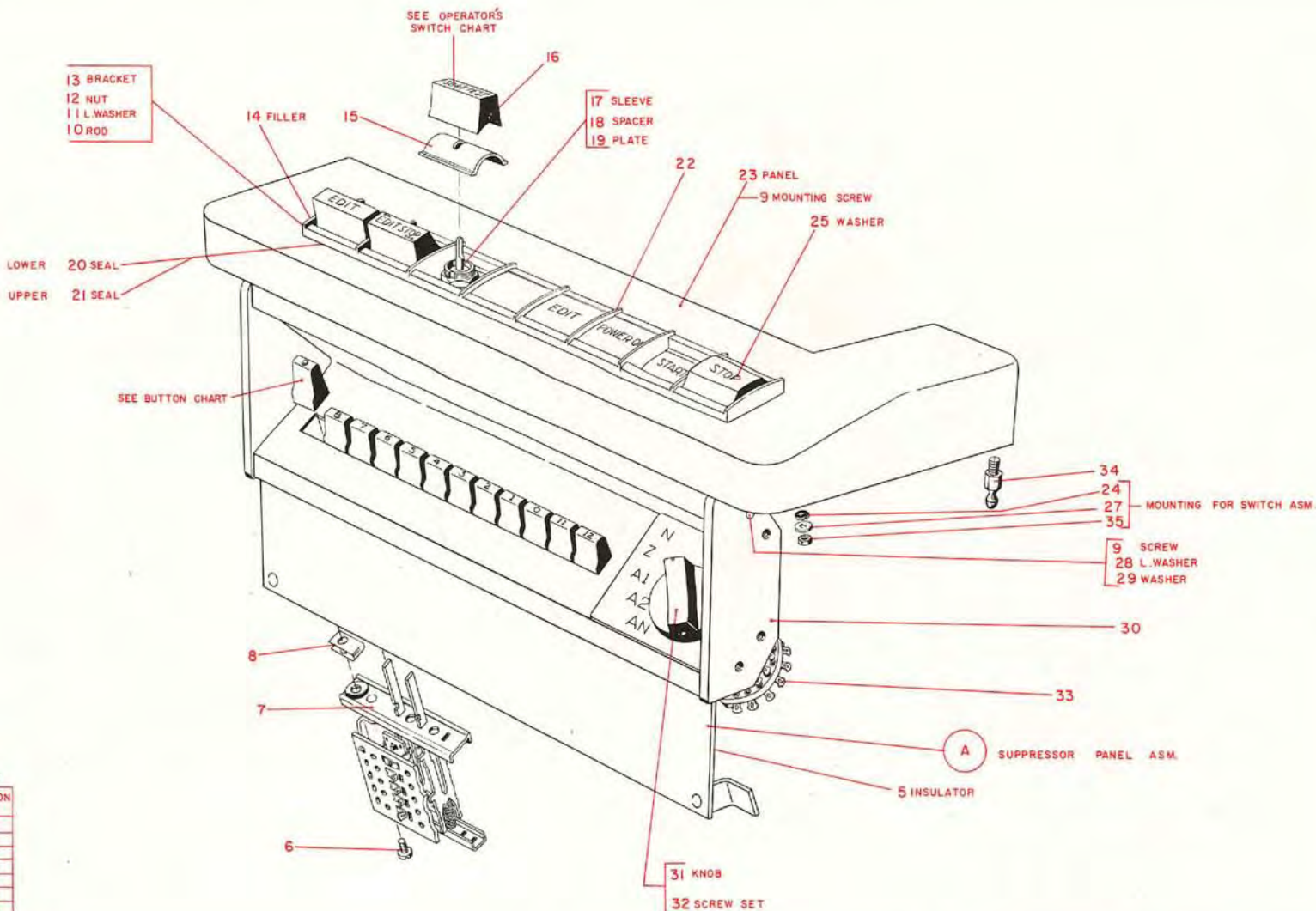
REF. PART NO.	DESCRIPTION
24 6318	LOCKWASHER OPERATORS SWITCH PANEL
25 104654	WASHER STOP RESET SWITCH
27 22478	WASHER
28 6364	LOCKWASHER SUPPRESSOR PANEL
29 1090622	WASHER SUPPRESSOR PANEL
30 336470	PLATE PANEL SIDE
31 336467	KNOB
32 309662	SCREW SUPPRESSOR PANEL
33 336340	SWITCH SUPPRESSOR PANEL
34 336444	STUD OPERATORS PANEL BALL
35 6503	NUT OPERATORS SWITCH PANEL

SWITCH PANEL



FIG. 83-15

SWITCH PANEL



**BUTTON CHART**

PART NO.	BUTTON NO.
336397	9
336396	8
336395	7
336394	6
336393	5
336392	4
336391	3
336390	2
336389	1
336398	0
336399	11
336401	12

**OPERATOR'S SWITCH CHART**

BUTTON POS.	EDIT	EDIT STOP	START TEST	LENS	EDIT	POWER ON.	START	STOP
BUTTON NO.	336478	336477	336479				233841	336810
SWITCH NO.	336480	336455	336480				215679	253267
LENS NO.				233829	336811	438768		
LAMP NO.					308346	308346		
LAMP HOLDER ASM.					437459	437459		
SPRING CLIP NO.					233888	233888		

REF.	PART NO.	DESCRIPTION
A	327679	MAGAZINE ASM. LOWER
1	38351	SCREW FEED ROLL HOUSING ASM. MTG.
2	257973	SCREW SET
3	327583	NUT SPEED THROAT GUIDE MTG.
4	327545	SHAFT FEED ROLL DRIVE LONG
5	110129	BEARING FEED ROLL DRIVE SHAFT
6	327627	RETAINER DRIVE SHAFT BEARING
7	38262	SCREW BEARING RETAINER MTG.
8	131306	SPACER FEED ROLL PULLEY
9	327635	GEAR FEED ROLL DRIVE
10	10610	WASHER GEAR MTG.
12	38264	SCREW GEAR MTG.
13	327555	PULLEY FEED ROLL
14	257982	CLIP IDLER GEAR RETAINING
15	1100523	SCREW SET IDLER GEAR
16	327585	GEAR IDLER
17	257969	SCREW SET
18	327599	STUD IDLER GEAR PIVOT
19	327598	SHAFT FEED ROLL SHORT
20	2031	SCREW COVER MTG.
22	327621	COVER CARD FEED ROLL
23	38442	SCREW
24	327579	GUIDE THROAT ADJUSTABLE
A1	327612	MAGAZINE AND STUD ASM.
A2	327677	FEED ROLL ASM.
A3	327548	FEED ROLL ASM.
A4	327644	HOUSING ASM. FEED ROLL L. H.
A5	327645	HOUSING ASM. FEED ROLL R. H.
25	327629	SLEEVE HOUSING BEARING
B	327683	BAR ASM. CARD POST SUPPORT
30	327605	STUD FRONT JOGGLER PIVOT
32	257961	SCREW SET
33	845	SCREW PIVOT BLOCK ASM. MTG.
34	327531	GUARD PICKER KNIFE
35	327537	BAR CARD POST SUPPORT
36	232	SCREW PICKER KNIFE GUARD MTG.
37	327580	SCREW JOGGLER ADJUSTING
38	327695	CAP NUT JOGGLER ADJUSTING SCREW
39	38269	SCREW SWITCH MTG.
40	228093	SWITCH
42	186083	SPACER CONTACT LEVER BRACKET
43	130562	SCREW MTG.

REF.	PART NO.	DESCRIPTION
44	327666	BRACKET CONTACT LEVER MTG.
45	327667	SHAFT CONTACT LEVER PIVOT
46	147297	CLIP SPRING
47	327665	LEVER FRONT JOGGLER CONTACT
48	327664	LEVER HOPPER CONTACT
B1	327697	BLOCK ASM. FRONT JOGGLER PIVOT
49	98403	BUSHING
B2	327694	JOGGLER & STUD ASM.
C	327607	DRIVE ASM.
50	327600	LEVER CLUTCH OPERATING
51	327656	PLATE BEARING RETAINER
52	257969	SCREW SET
53	327686	COLLAR
54	327647	COVER DRIVE GEAR
55	38352	SCREW DRIVE GEAR COVER
56	327584	SPRING CLUTCH DETENT
57	327563	LEVER CLUTCH DETENT
58	327564	LEVER CLUTCH
59	186758	SCREW HOPPER BACK PLATE
60	327594	SHAFT CLUTCH DETENT PIVOT
62	327595	SHAFT
63	327575	GEAR INPUT DRIVE
64	10610	WASHER
65	38264	SCREW
66	110129	BEARING DRIVE SHAFT
67	327627	RETAINER DRIVE SHAFT BEARING
68	38263	SCREW RETAINER MTG.
69	327596	SHAFT CLUTCH OUTPUT
70	327582	CAM FRONT JOGGLER
72	327631	GEAR OUTPUT DRIVE
73	327606	SHAFT MAIN DRIVE
74	1100523	SCREW SET
75	327562	HUB CLUTCH INPUT
76	340728	SPRING CLUTCH
77	309747	COLLAR CLUTCH
78	228348	SCREW CLUTCH COLLAR MTG.
79	327581	CAM SIDE JOGGLER
80	438145	FITTING GREASE
C1	327642	HOUSING ASM. DRIVE
81	327628	SLEEVE RIGHT PLATE BEARING
82	327625	SLEEVE CENTER BEARING

REF.	PART NO.	DESCRIPTION
C2	313381	SLEEVE ASM. CLUTCH
C3	327568	DETENT & BEARING ASM.
85	327813	BUSHING DETENT
D	327610	BRACKET ASM. FRONT JOGGLER SPRING
E	327552	LEVER ASM. FRONT JOGGLER L. H.
F	327551	LEVER ASM. FRONT JOGGLER R. H.
G	327593	BRACKET ASM. TRAY SUPPORT L. H.
H	327571	BED PLATE HOPPER ASM.
J	327684	MAGAZINE ASM. UPPER
95	38433	SCREW RELEASE HANDLE MTG.
96	327540	BRACKET SUPPORT LINK STOP
97	38579	SCREW SUPPORT LINK STOP BRACKET
98	327632	HANDLE UPPER MAGAZINE RELEASE
NS	327648	TRIM MAGAZINE UPPER
J1	327620	MAGAZINE ASM. UPPER
J2	327639	STRUT ASM. UPPER MAGAZINE L. H.
J3	327640	STRUT ASM. UPPER MAGAZINE R. H.
PARTS NOT INCLUDED WITH SUB ASSEMBLIES		
105	327670	SHAFT UPPER MAGAZINE PIVOT
106	1100523	SCREW CLUTCH OUTPUT PULLEY SET
107	327554	PULLEY CLUTCH OUTPUT
108	60488	CLIP UPPER MAGAZINE RETAINING
109	327613	BELT FEED DRIVE
110	2032	SCREW FRONT JOGGLER BRACKET L. H.
111	641	SCREW FRONT JOGGLER BRACKET R. H.
112	327624	SPRING FRONT JOGGLER
113	327614	STUD FRONT JOGGLER SPRING
114	225859	SCREW
115	327572	PLATE HOPPER BACK
116	58851	SPRING
117	327569	PLATE RIGHT SIDE
118	257973	SCREW SET
119	327553	PULLEY CLUTCH INPUT
120	109317	SCREW
121	2179	SCREW
122	336305	SPRING CARD SUPPORT



## REF. PART NO. DESCRIPTION

A	327576	PLATE ASM. JOGGLER
1	257957	SCREW SET SIDE JOGGLER PIVOT SHAFT
2	327557	PLATE LEFT SIDE
3	327619	SHAFT SIDE JOGGLER PIVOT
4	257189	NUT JOGGLER ADJUSTMENT SCREW
5	327580	SCREW JOGGLER ADJUSTMENT
A1	327561	JOGGLER ASM. CARD SIDE
6	327617	BUSHING SIDE JOGGLER
B	327638	BRACKET ASM. DRIVE & TRAY SUPPORT
C	327703	DRIVE ASM. PULLEY
7	327702	INSERT BUSHING
D	327536	WEIGHT ASM. CARD
E	327691	PULLEY ASM. POCKET JOGGLER CAM
8	327689	BUSHING POCKET JOGGLER PULLEY
F	327680	LINK & LEVER ASM.
G	327616	HINGE ASM. POCKET JOGGLER

## REF. PART NO. DESCRIPTION

H	327707	BRACKET ASM. DRIVE MTG.
10	327706	STUD SPRING ANCHOR
12	11598	NUT
J	327607	DRIVE ASM.
14	60488	CLIP
15	186758	SCREW BACK PLATE
16	327599	STUD
17	1100523	SCREW SET
18	327581	CAM SIDE JOGGLER
19	257969	SCREW SET
20	327582	CAM FRONT JOGGLER
J1	327590	ARM ASM. CAM FOLLOWER

## PARTS NOT INCLUDED WITH SUB ASSEMBLIES

25	327650	PULLEY POCKET JOGGLER DRIVE
26	336255	SPACER
27	336254	COLLAR
28	38359	SCREW
29	336359	SCREW SET
30	60489	CLIP LEVER & LINK RETAINING
31	79081	SPRING POCKET JOGGLER

## REF. PART NO. DESCRIPTION

32	327692	STUD
33	3960	NUT
34	23141	WASHER PULLEY CAM MTG.
35	130434	SCREW
36	437387	BEARING POCKET JOGGLER PULLEY
37	327641	STUD PULLEY
38	3550	WASHER PULLEY STUD
39	6935	LOCKWASHER DRIVE PULLEY STUD
40	443	SCREW
41	45690	WASHER
42	327678	BELT DRIVE TIMING
43	327613	BELT FEED DRIVE
44	327553	PULLEY CLUTCH INPUT
45	327618	COVER GEAR GUARD REAR
46	327572	PLATE HOPPER BACK
47	327663	BAR POCKET CARD STOP
48	56121	LOCKWASHER
49	11598	NUT
50	327626	COVER FRONT RAIL
51	129654	SCREW RAIL LEFT END
52	9092	LOCKWASHER
54	58207	SCREW
55	186758	SCREW

FIG. 83-17

