

IBM

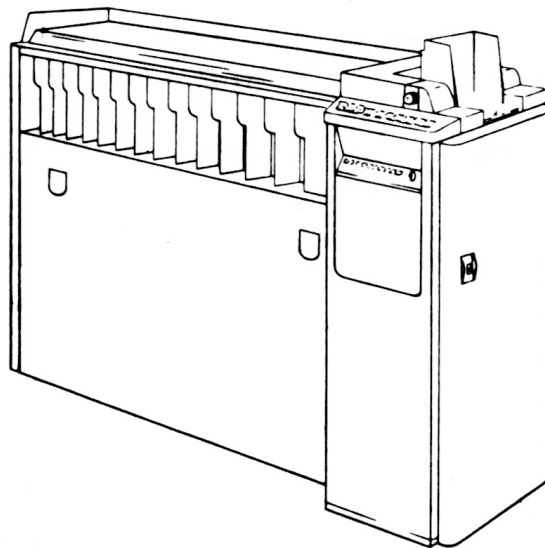
Wiring Diagram

DIAGRAM NO. 336584-G

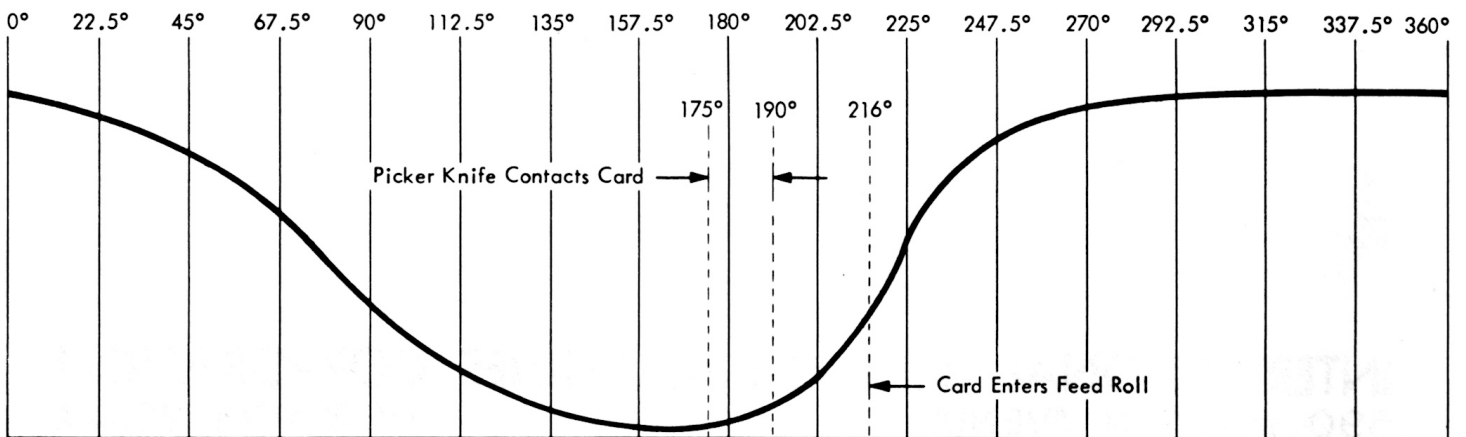
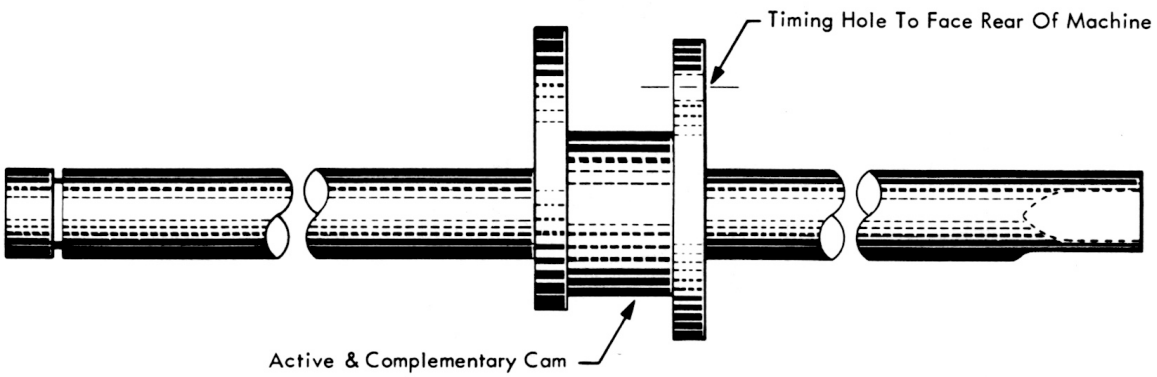
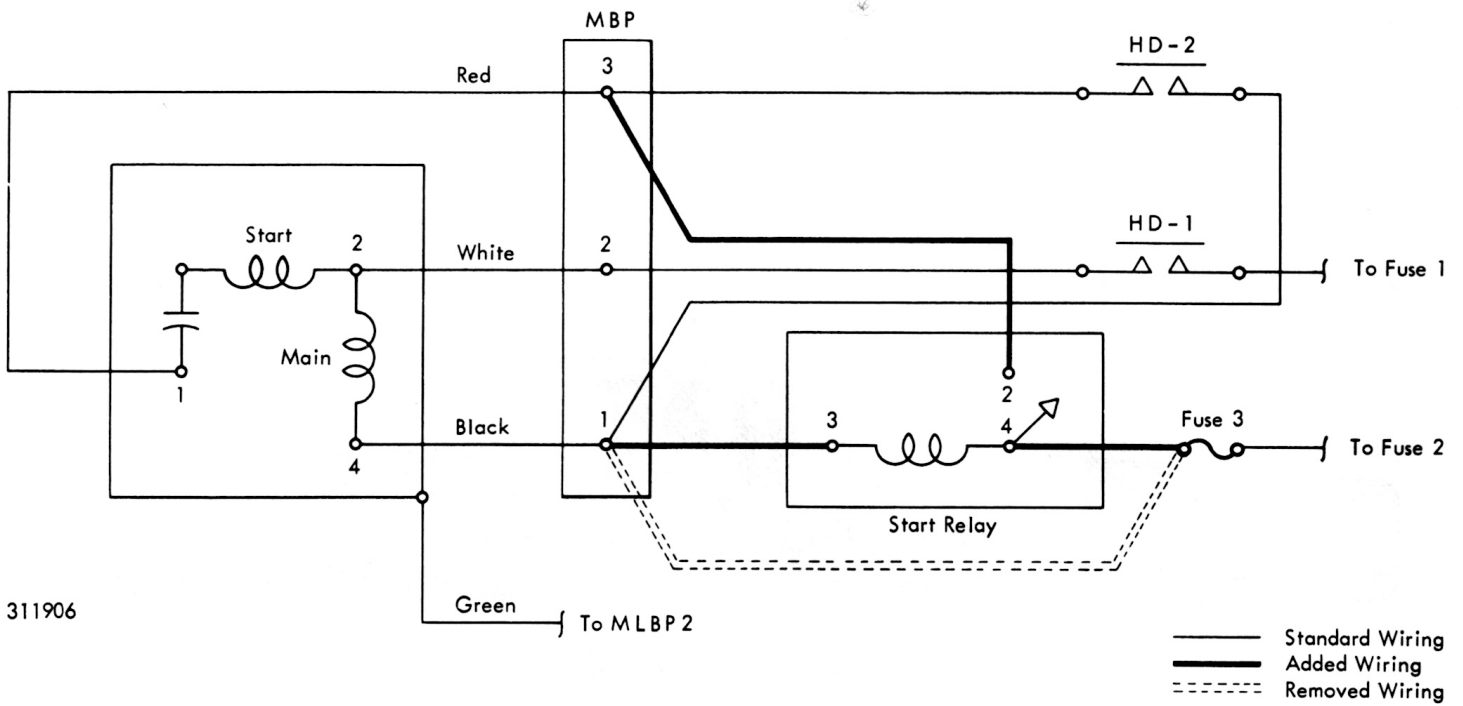
TYPE- 083

MACHINE SERIAL NO.-

ALPHABETIC SORTER

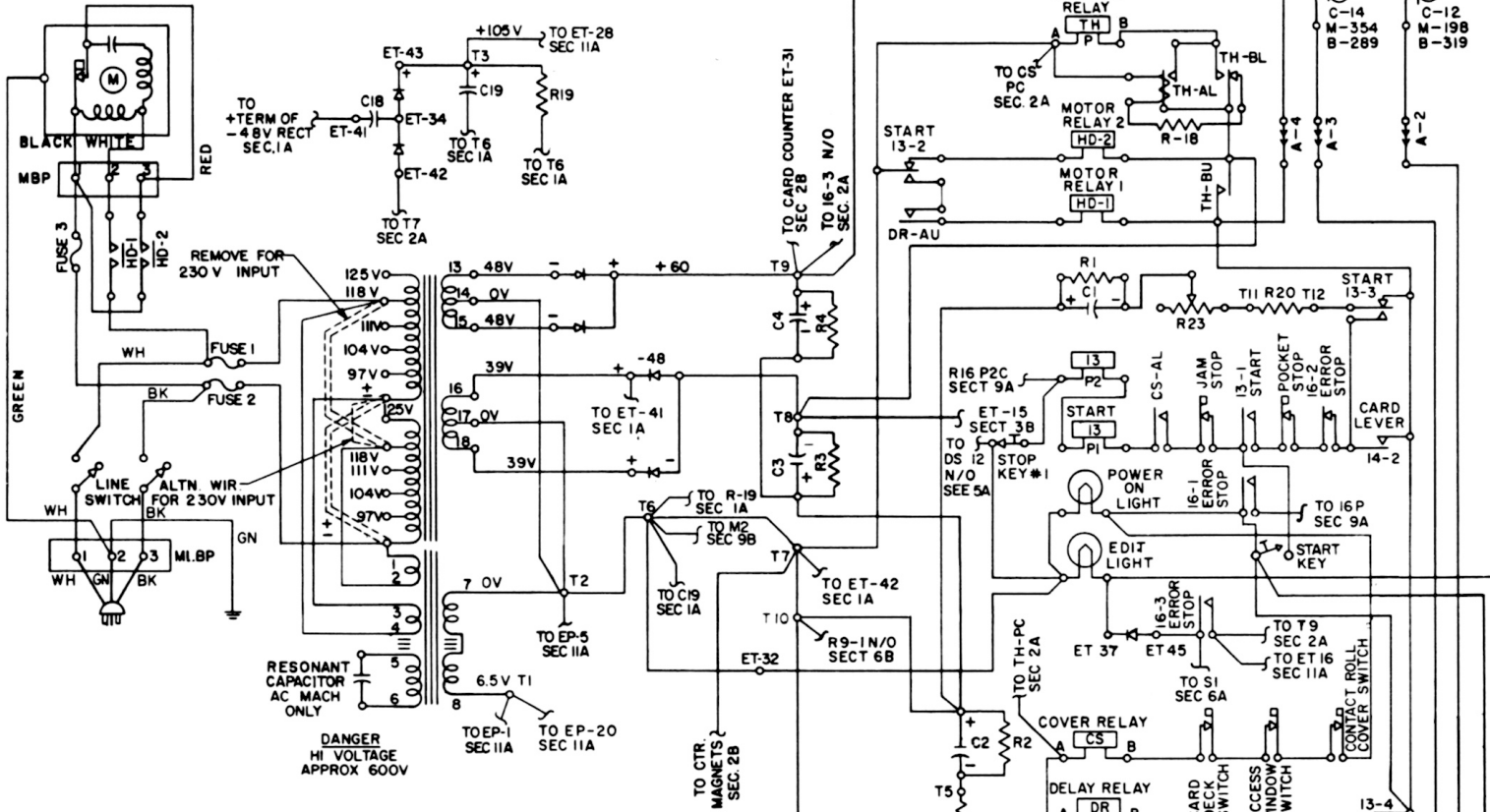


INTERNATIONAL BUSINESS MACHINES CORPORATION
590 MADISON AVENUE
NEW YORK 22, N.Y.



WIRING DIAGRAM SUPPLEMENT

NOTE: WIRING DIAGRAM DRAWN WITH CB UNIT STOPPED AT 0* MAIN LINE SWITCH OFF AND NO CARDS IN THE MACHINE.



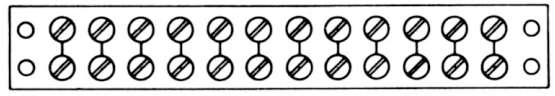
DANGER HI VOLTAGE APPROX 600V

ARC SUPPRESSORS RESISTORS AND CAPACITORS	LOC	PART NO
R1	10K Ω 1W 2A	317063
R2	10K Ω 1W 2A	317063
R3	500 Ω 10W 2A	282436
R4	1000 Ω 10W 2A	317330
R6-17	390 Ω 2W 6	336567
R18	240 Ω 2W 2A	301881
R19	390 Ω 15K 1W 1A	317434
R20	390 Ω 1W 2A	335019
R21	390 Ω 1W 2A	335019
R22	500 Ω 10W 7A	282436
R23	10K Ω 2W 2A	317150
C1	1000 MFD 2A	226417
C2	1000 MFD 2A	226417
C3	2500 MFD 2A	218704
C4	1000 MFD 2A	336788
C18-19	40 MFD 1A	225620

LINE VOLTAGE	TRANSFORMER TAP
93 - 100	97 P
100 - 107	104 P
107 - 114	111 P
114 - 121	118 P
121 - 130	125 P
187 - 201	97 S
201 - 215	104 S
215 - 229	111 S
229 - 243	118 S
243 - 257	125 S

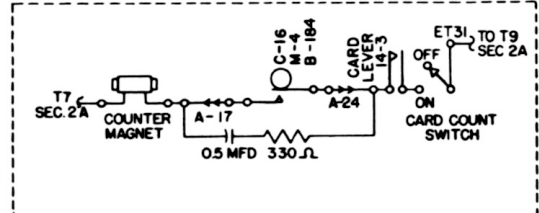
P - PRIMARY WINDINGS CONNECTED IN PARALLEL
 S - PRIMARY WINDINGS CONNECTED IN SERIES

RATED VOLTAGE	NO LOAD VALUE	MINIMUM UNDER LOAD
+60 DC	60 TO 65	54
-48 DC	49 TO 55	-46
6.5 AC		6.2
+105 DC		92

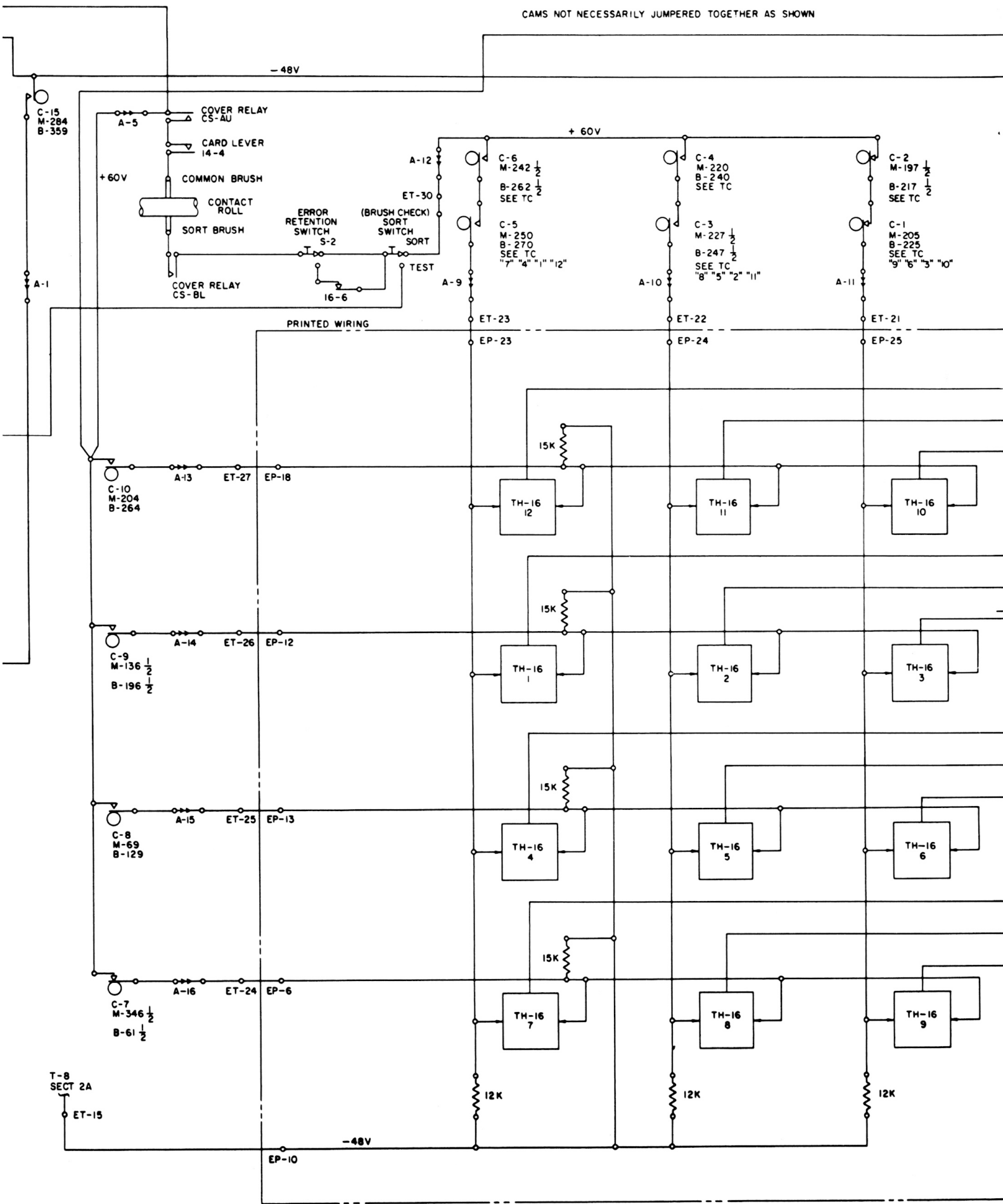


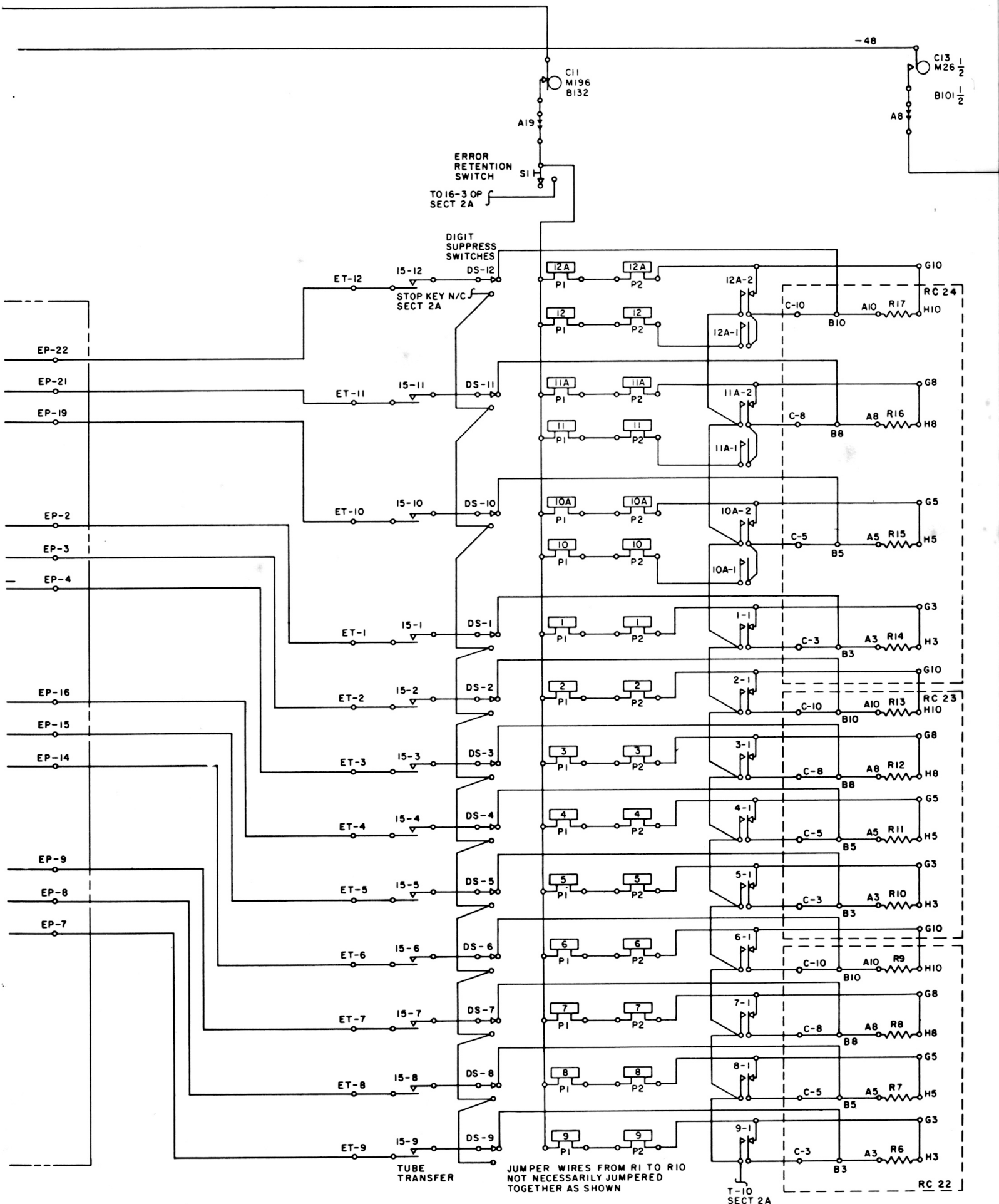
POWER SUPPLY TERMINAL STRIP

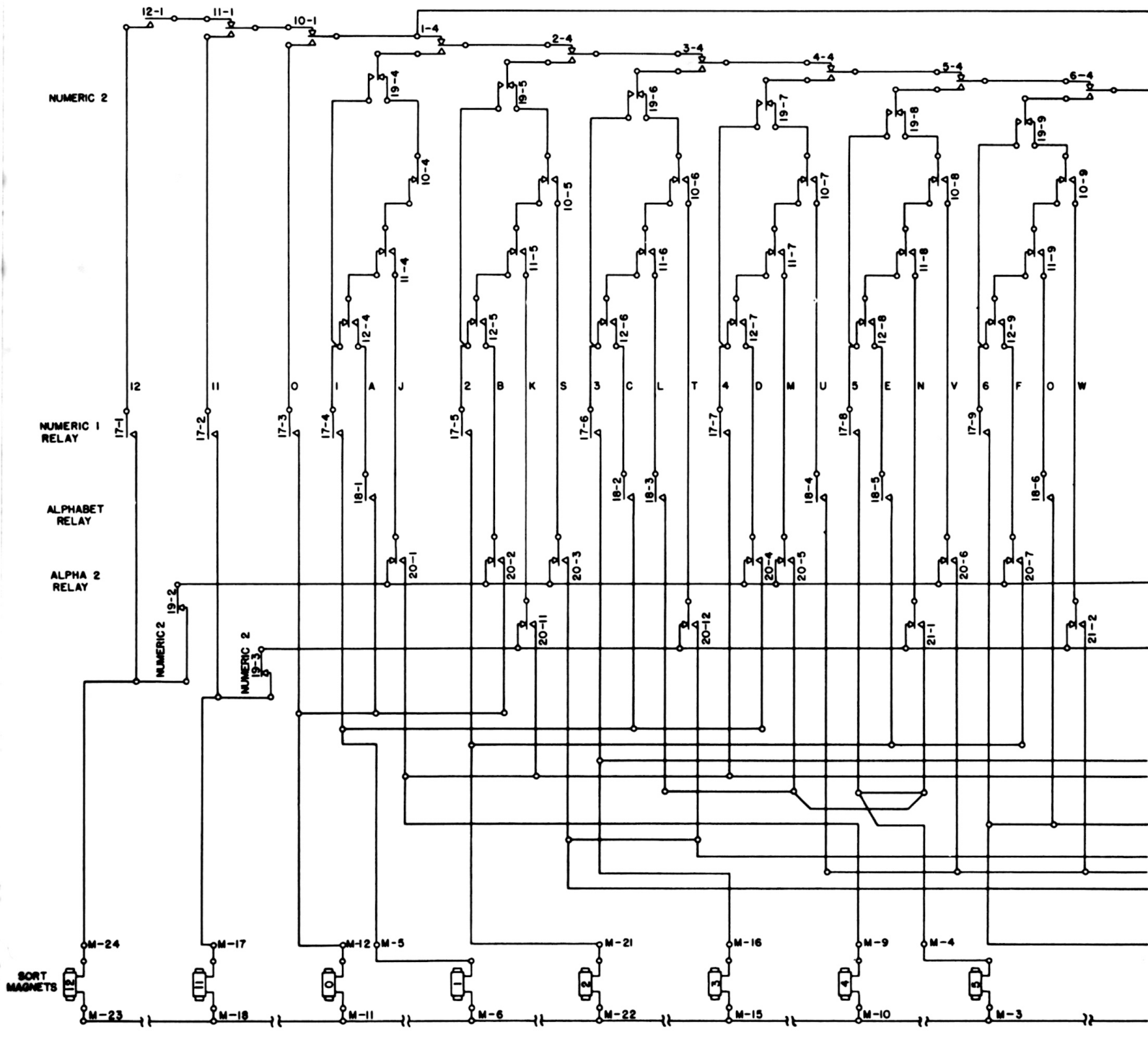
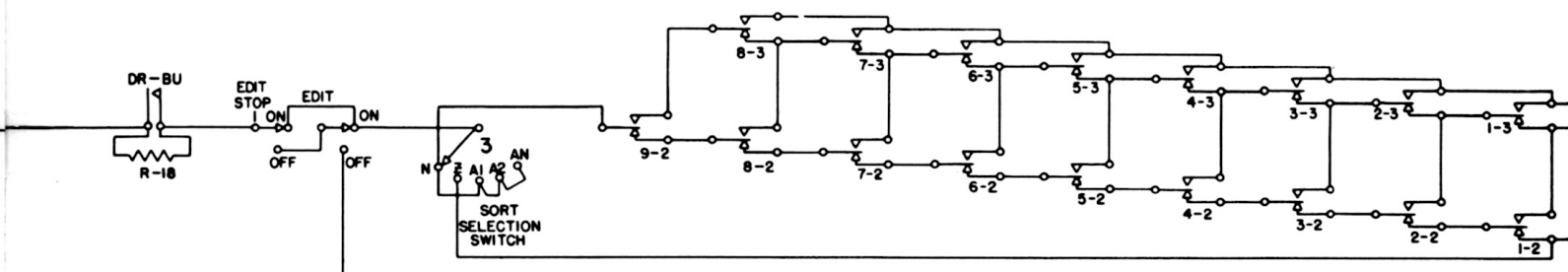
INPUT VOLTS	CYCLE	FUSE 1 PART NO	FUSE 1 VALUE	FUSE 2 PART NO	FUSE 2 VALUE	FUSE 3 PART NO	FUSE 3 VALUE	FUSE 4 PART NO	FUSE 4 VALUE	FUSE 5 PART NO	FUSE 5 VALUE	MOTOR ASM
118	60	92734	2A LTL	92734	2A LTL	107666	5A LTL					336546
208	60	228391	1.6 LTL	228391	1.6 LTL	107663	2.5 LTL					336795
230	60	228391	1.6 LTL	228391	1.6 LTL	107663	2.5 LTL					336795
118	50	92734	2A LTL	92734	2A LTL	107666	5A LTL					336871
208	50	228391	1.6 LTL	228391	1.6 LTL	107663	2.5 LTL					336872
230	50	228391	1.6 LTL	228391	1.6 LTL	107663	2.5 LTL					336872
118	25	92734	2A LTL	92734	2A LTL	107666	5A LTL					336882
208	25	228391	1.6 LTL	228391	1.6 LTL	107664	3.2 LTL					336883
230	25	228391	1.6 LTL	228391	1.6 LTL	107664	3.2 LTL					336883
118	DC	107664	3.2 LTL	107664	3.2 LTL	107664	3.2 LTL	92734	2A LTL	92734	2A LTL	336843
230	DC	228391	1.6 LTL	228391	1.6 LTL	228391	1.6 LTL	92734	2A LTL	92734	2A LTL	336848
150	60	228391	1.6 LTL	228391	1.6 LTL	107666	5A LTL					336895

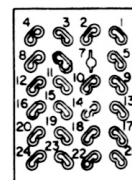
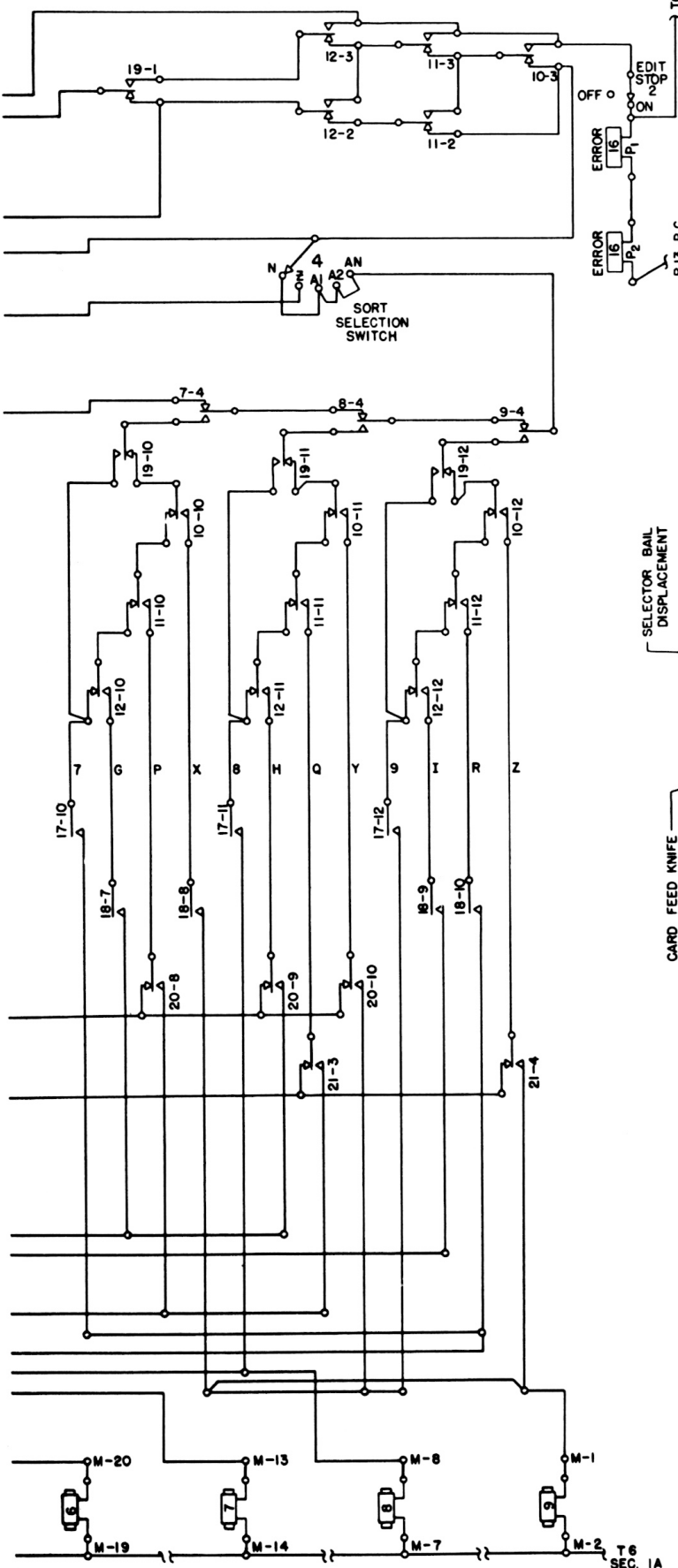


CAMS NOT NECESSARILY JUMPED TOGETHER AS SHOWN



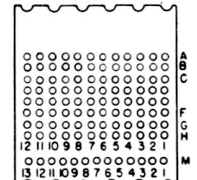






23 POSITION ELCO PLUG (FEMALE) LOOKING AT WIRED SIDE OF TERMINALS A1 TO A24

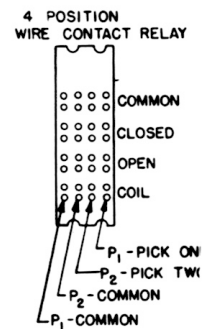
- GUIDE PIN HOLE



RESISTOR-CAPACITOR UNIT REAR VIEW

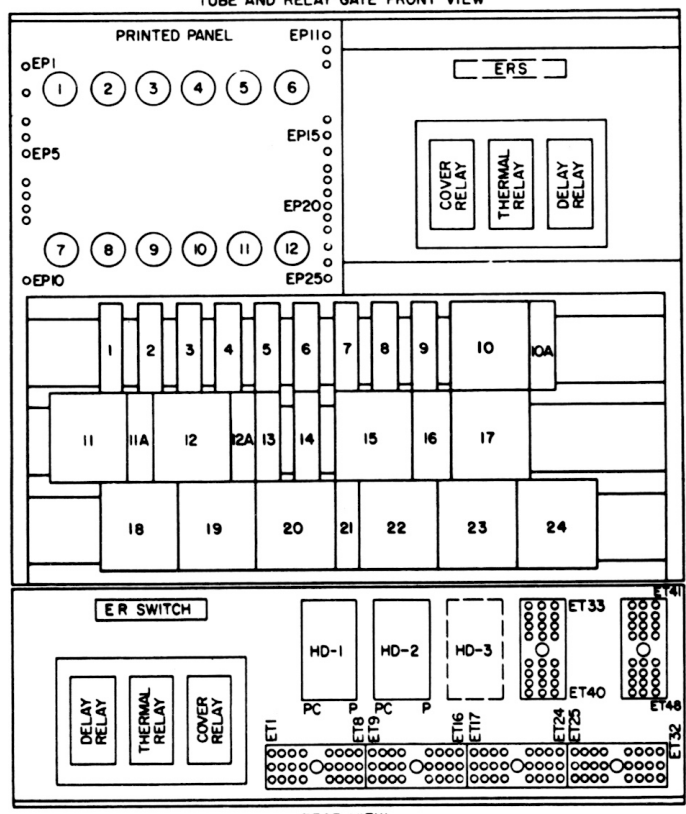
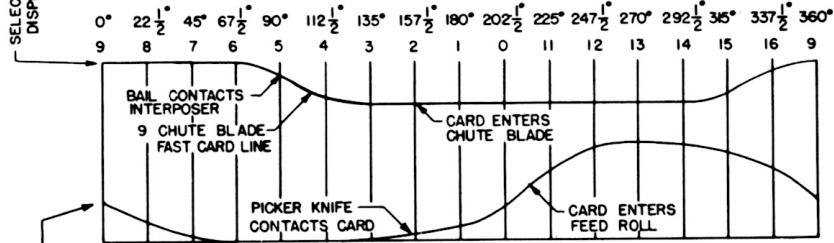
MISC. RELAYS

RELAY	COIL	CONTACT POINTS				NAME	PART NUMBER
		HD	AU	AL	BU		
TH	2A		2A	2A	2A	THERMAL RELAY	206314
CS	2B		3A	2A	3A	COVER SWITCH	122532
DR	2A		2A		7A	DELAY RELAY	122532
HD-1	2A	1A				HEAVY DUTY 1	72916
HD-2	2A	1A				HEAVY DUTY 2	72916



SORTING PATTERN CHART

SORTING PHASE SWITCH POSITION	POCKETS												REJECTS (NORMAL)	EDIT OR EDIT STOP - ON ERRORS
	9	8	7	6	5	4	3	2	1	0	11	12		
NUMERIC	9	8	7	6	5	4	3	2	1	0	11	12	BLANKS	MORE THAN ONE PUNCH
ZONE										S-Z	J-R	A-I	NO ZONE PUNCH, BLANKS	MORE THAN ONE ZONE
ALPHA 1	X	U	R	O	L	I	G	E	C	A	KNQ	BDFHJ	NUMBERS 0-1 BLANKS	MORE THAN ONE ZONE OR DIGIT
ALPHA 2	XYZ	UVW	RST	OP	LMN	JK	GH	EF	CD	AB	KNQ	BDFHJ	NUMBERS 0-1 BLANKS	MORE THAN ONE ZONE OR DIGIT
ALPHABET NUMERIC	9	8	7	6	5	4	3	2	1	0	KNQ	BDFHJ	ACEGIORUX 0-1 BLANKS	MORE THAN ONE ZONE OR DIGIT



REAR VIEW

